

# TEAC®

## SERVICE MANUAL

---

# CTM5954

59CM CTV

---

# TEAC

## SERVICE MANUAL

---

---



**EC-2560**

---

<b>1. Caution.....</b>	<b>2</b>
<b>2. Specification.....</b>	<b>6</b>
<b>3. BOM List .....</b>	<b>Temporary Absence</b>
<b>4. Alignment Procedure.....</b>	<b>13</b>
<b>5. Block Diagram.....</b>	<b>19</b>
<b>6. Schematic Diagram.....</b>	<b>20</b>
<b>7. PCB Layout.....</b>	<b>21</b>
<b>8. Explore Diagram.....</b>	<b>22</b>

---

This manual is the latest at the time of printing, and does not include the modification which may be made after the printing, by the constant improvement of product.

**CAUTION:**

Use of controls, adjustments or procedures other than those specified herein may result in hazardous radiation exposure.

---



**CAUTION**  
**RISK OF ELECTRIC SHOCK DO NOT OPEN.**



CAUTION: TO REDUCE THE RISK OF ELECTRICAL SHOCK, DO NOT REMOVE COVER (OR BACK). NO USER SERVICEABLE PARTS INSIDE. REFER SERVICING TO QUALIFIED SERVICE PERSONNEL.

---



The lightning flash with arrowhead symbol, with an equilateral triangle is intended to alert the user to the presence of uninsulated “dangerous voltage” within the product’s enclosure that may be of sufficient magnitude to constitute a risk of electric shock to the person.

---



The exclamation point within an equilateral triangle is intended to alert the user to the presence of important operating and maintenance (servicing) instructions in the literature accompanying the appliance.

---

**WARNING: TO REDUCE RISK OF FIRE OR ELECTRIC SHOCK, DO NOT EXPOSE THIS APPLIANCE TO RAIN OR MOISTURE.**

# **IMPORTANT SAFETY INSTRUCTIONS**

## **CAUTION:**

**Read all of these instructions. Save these instructions for later use. Follow all Warnings and Instructions marked on the audio equipment.**

1. Read Instructions- All the safety and operating instructions should be read before the product is operated.
2. Retain Instructions- The safety and operating instructions should be retained for future reference.
3. Heed Warnings- All warnings on the product and in the operating instructions should be adhered to.
4. Follow Instructions- All operating and use instructions should be followed.

## **FOR YOUR PERSONAL SAFETY**

1. When the power cord or plug is damaged or frayed, unplug this television set from the wall outlet and refer servicing to qualified service personnel.
2. Do not overload wall outlets and extension cords as this can result in fire or electric shock.
3. Do not allow anything to rest on or roll over the power cord, and do not place the TV where power cord is subject to traffic or abuse. This may result in a shock or fire hazard.
4. Do not attempt to service this television set yourself as opening or removing covers may expose you to dangerous voltage or other hazards. Refer all servicing to qualified service personnel.
5. Never push objects of any kind into this television set through cabinet slots as they may touch dangerous voltage points or short out parts that could result in a fire or electric shock. Never spill liquid of any kind on the television set.
6. If the television set has been dropped or the cabinet has been damaged, unplug this television set from the wall outlet and refer servicing to qualified service personnel.
7. If liquid has been spilled into the television set, unplug this television set from the wall outlet and refer servicing to qualified service personnel.
8. Do not subject your television set to impact of any kind. Be particularly careful not to damage the picture tube surface.
9. Unplug this television set from the wall outlet before cleaning. Do not use liquid cleaners or aerosol cleaners. Use a damp cloth for cleaning.
- 10.1. Do not place this television set on an unstable cart, stand, or table. The television set may fall, causing serious injury to a child or an adult, and serious damage to the appliance. Use only with a cart or stand recommended by the manufacturer, or sold with the television set. Wall or shelf mounting should follow the manufacturer's instructions, and should use a mounting kit approved by the manufacturer.
- 10.2. An appliance and cart combination should be moved with care. Quick stops, excessive force, and uneven surfaces may cause the appliance and cart combination to overturn.



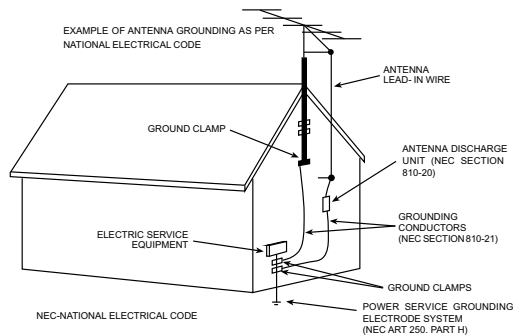
## **PROTECTION AND LOCATION OF YOUR SET**

11. • Do not use this television set near water ... for example, near a bathtub, washbowl, kitchen sink, or laundry tub, in a wet basement, or near a swimming pool, etc.
  - Never expose the set to rain or water. If the set has been exposed to rain or water, unplug the set from the wall outlet and refer servicing to qualified service personnel.
12. Choose a place where light (artificial or sunlight) does not shine directly on the screen.
13. Avoid dusty places, since piling up of dust inside TV chassis may cause failure of the set when high humidity persists.
14. The set has slots, or openings in the cabinet for ventilation purposes, to provide reliable operation of the receiver, to protect it from overheating. These openings must not be blocked or covered.
  - Never cover the slots or openings with cloth or other material.
  - Never block the bottom ventilation slots of the set by placing it on a bed, sofa, rug, etc.
  - Never place the set near or over a radiator or heat register.
  - Never place the set in a "built-in" enclosure, unless proper ventilation is provided.

## **PROTECTION AND LOCATION OF YOUR SET**

- 15.1. If an outside antenna is connected to the television set, be sure the antenna system is grounded so as to provide some protection against voltage surges and built up static charges, Section 810 of the National Electrical Code, NFPA No. 70-1975, provides information with respect to proper grounding of the mast and supporting structure, grounding of the lead-in wire to an antenna discharge unit, size of grounding conductors, location of antenna discharge unit, connection to grounding electrode, and requirements for the grounding electrode.

### **EXAMPLE OF ANTENNA GROUNDING AS PER NATIONAL ELECTRICAL CODE INSTRUCTIONS**



- 15.2. Note to CATV system installer : (Only for the television set with CATV reception)

This reminder is provided to call the CATV system installer's attention to Article 820-40 of the NEC that provides guidelines for proper grounding and, in particular, specifies that the cable ground shall be connected to the grounding system of the building, as close to the point of cable entry as practical.

16. An outside antenna system should not be located in the vicinity of overhead power lines or other electric lights or power circuits, or where it can fall into such power lines or circuits. When installing an outside antenna system, extreme care should be taken to keep from touching such power lines or circuits as contact with them might be fatal.
17. For added protection for this television set during a lightning storm, or when it is left unattended and unused for long periods of time, unplug it from the wall outlet and disconnect the antenna. This will prevent damage due to lightning and power-line surges.

## **OPERATION OF YOUR SET**

18. This television set should be operated only from the type of power source indicated on the marking label. If you are not sure of the type of power supply at your home, consult your television dealer or local power company. For television sets designed to operate from battery power, refer to the operating instructions.
19. If the television set does not operate normally by following the operating instructions, unplug this television set from the wall outlet and refer servicing to qualified service personnel. Adjust only those controls that are covered in the operating instructions as improper adjustment of other controls may result in damage and will often require extensive work by a qualified technician to restore the television set to normal operation.
20. When going on a holiday : If your television set is to remain unused for a period of time, for instance, when you go on a holiday, turn the television set " off " and unplug the television set from the wall outlet.

## **IF THE SET DOES NOT OPERATE PROPERLY**

21. If you are unable to restore normal operation by following the detailed procedure in your operating instructions, do not attempt any further adjustment. Unplug the set and call your dealer or service technician.
22. Whenever the television set is damaged or fails, or a distinct change in performance indicates a need for service, unplug the set and have it checked by a professional service technician.
23. It is normal for some TV sets to make occasional snapping or popping sounds, particularly when being turned on or off. If the snapping or popping is continuous or frequent, unplug the set and consult your dealer or service technician.

## **FOR SERVICE AND MODIFICATION**

24. Do not use attachments not recommended by the television set manufacturer as they may cause hazards.
25. When replacement parts are required, be sure the service technician has used replacement parts specified by the manufacturer that have the same characteristics as the original part. Unauthorized substitutions may result in fire, electric shock, or other hazards.
26. Upon completion of any service or repairs to the television set, ask the service technician to perform routine safety checks to determine that the television is in safe operating condition.

# PRODUCT SPECIFICATION

**MODEL:            2560**

## **AMBIENT CONDITIONS:**

### **AMBIENT TEMPERATURE:**

**OPERATING : -10°C ~ +40°C**

**STORAGE : -15°C ~ +45°C**

### **HUMIDITY**

**OPERATING: <80%**

**STORAGE: <90%**

**AIR PRESSURE:        86kpa ~ 106kpa**

**PREPARED BY :**

**DATE:**

**APPROVED BY:**

**DATE: \_**

A: GENERAL SPECIFICATION :

1: CRT

- 14"\_\_\_\_\_  20"\_\_\_\_\_
- 21"\_\_\_\_\_  25"\_\_\_\_\_
- 29"\_\_\_\_\_  34"\_\_\_\_\_  OTHER\_\_\_\_\_

2: CHASSIS:

- DIGITAL  NICAM STEREO  ANALOG
- SURROUND SOUND  TELETEXT  GERMAN STEREO
- S.VHS  OTHER \_\_\_\_\_

3: CPU:

- TSB M5C01  TSB M5C03  TSB M5ENG  TSB M6/M6A  TSB M7/M7A

- TSB M8A  TSB M8B  TSB CTS-654A  TSB M2A  SS M4F
- PHIL.CTV 222S  MIT.(2911)  SIE SDA 5352  OTHERS M13

4: TV BROADCASTING SYSTEM AND COUNTRY

- PAL-I  PAL-BG  PAL-DK  PAL-DK.1
- PAL-DK.BG  SECAM-BG  SECAM-L  SECAM-DK.BG
- PAL-N  NTSC-M  NTSC3.579/4.43 AV MODE  21 MULTI SYSTEM
- UK  HK  GERMAN  RUSSIA
- CHINA  USA  E.EUROPE  VIETNAM
- CANADA  DUBAI  INDONESIA  S.AFRICA
- MALAYSIA  MID. AMERICA  SINGAPORE  ISRAEL
- AUSTRALIA & NEW ZEALAND  TAIWAN  MOROCCO
- PHILIPPINES  OTHER\_\_\_\_\_

5: RECEIVING CHANNELS

- CH21--CH69  CH2--CH12 (CCIR)
- CHFA-CHS20 (FRANCE BAND)  CH2--CHS41 (HYPER BAND)
- CH21--CH69  CH21--CH69



- CH2--CHS20 (CABLE BAND)                       CH2--CH13 (USA BAND)  
 CH21--CH69     CH14--CH83  
 CHR1--CHR12 (OIRT)                               CH1--CH12/CH13-CH57 (CHINA BAND)  
 OTHER CATV 470MHz

6: SCANNING LINES AND FREQUENCIES

- 625 LINES            15.625kHz    50Hz  
 525 LINES            15.75kHz     60Hz  
 525/625 LINES    15.625kHz /15.75kHz    50/60Hz

7: COLOUR SUB-CARRIER

- 4.433MHz                       3.579MHz                       3.58MHz

8: INTERMEDIATE FREQUENCIES

- PICTURE 39.5MHz               SOUND 6.0MHz  
 PICTURE 38.9MHz               SOUND 5.5MHz  
 PICTURE 38.0MHz               SOUND 6.5MHz  
 PICTURE 45.75MHz               SOUND 4.5MHz  
 OTHER \_\_\_\_\_               AM SOUND 6.5MHz

9: POWER CONSUMPTION :

- 65W       70W       75W       80W       110W       120W  
 130W       140W       180W       190W       OTHER \_\_\_\_\_

10: POWER SOURCE :

- AC 120V 60Hz±10%  
 AC 200V 50Hz±10%  
 AC 220V 50Hz±10%  
 AC 220V 50Hz+10%~25%  
 AC 240V 50Hz±10%  
 AC 110V-240V 50/60Hz±10%  
 OTHER \_\_\_\_\_

11: AUDIO OUTPUT POWER (7%THD)

- 13" & 14" ---1W
- 20" & 21" ---2W
- 20" & 21" ---2W + 2W (R + L)
- 25" ---4W + 4W (R + L)
- 29" >=6W + 6W (R + L)
- 34" ---8W + 8W(R + L)
- OTHER 25" >=6W + 6W (R + L)

12: AERIAL INPUT IMPEDANCE

- 75  $\Omega$  UNBALANCED DIN JACK ANT.INPUT75
- 75 $\Omega$  UNBALANCED F TYPE ANT.INPUT FOR NTSC
- 300  $\Omega$  BALANCED (TWO TERMINALS ANT.INPUT)
- OTHER \_\_\_\_\_

13: PRODUCT SAFETY REQUIREMENT

- BS APPROVAL
- VDE APPROVAL
- UL APPROVAL
- CHINA APPROVAL
- CB APPORVAL
- OTHER \_\_\_\_\_

14: PRODUCT EMC/EMI REQUIREMENT

- FTZ APPOVAL
- FCC APPROVAL
- CHINA APPOVAL
- OTHER \_\_\_\_\_

B: BASIC FEATURES OF CONTROLLER

1: CHANNEL TUNING METHOD

VOLTAGE SYNTHESIZER (V.S.)

PLL FREQUENCY SYNTHESIZER (F.S.)

2: PRESETTABLE PROGRAM

50 PROGRAMS       0-99 PROGRAMS

100 PROGRAMS       181 PROGRAMS

OTHER \_\_\_\_\_

3: TUNING FOR VHF AND UHF BANDS

AUTO SEARCH)       MANUAL TUNING)

FINE TUNING

4: PICTURE AND SOUND ADJUSTMENT

BRIGHT, CONTRAST, COLOUR AND VOLUME CONTROL

TINT CONTROL(NTSC)

TREBLE, BASS, BALANCE CONTROL

SHARPNESS CONTROL       OTHER \_\_\_\_\_

5: TELETEXT

SIMPLE TEXT       TOP(TABLE OF PAGES)

FLOF (FASTEXT)       LIST

6: ON SCREEN DISPLAY

GENERAL FEATURES\*       STEREO DUAL LAN.

FOUR S.EFFECT INDICATOR       GERMAN STEREO INDICATOR

注: \*REMARK: OSD-GENERAL FEATURES OF CPU:  
VOLUME, BRIGHTNESS, CONTRAST, COLOUR, PROGRAM, BAND,  
AUTO SEARCH, MANUAL, TUNE, MUTING, AV AND SLEEP TIMER.

7: SLEEP TIMER

10-120 MINUTES WITH 10M.INCREMENT

8: AUTO OFF WHEN NO BROADCASTING SIGNAL

10 min       15 min       20 min

9: FULL FUNCTION INFRARED REMOTE CONTROL

P/N OF REMOTE CONTROL INLAY) : \_\_\_\_\_

10: REMOTE EFFECTIVE DISTANCE 8 m

C: CONSTRUCTION OF FRONT PANEL

- |   |  |
|---|--|
| <input checked="" type="checkbox"/> MAIN POWER SWITCH         | <input type="checkbox"/> FUNCTION SELECT                   |
| <input checked="" type="checkbox"/> REMOTE SENSOR             | <input checked="" type="checkbox"/> MENU SELECT            |
| <input type="checkbox"/> SYSTEM FUNCTION                      | <input type="checkbox"/> S.VHS INPUT                       |
| <input type="checkbox"/> MICROPHONE INPUT                     | <input checked="" type="checkbox"/> TV/AV SELECT           |
| <input checked="" type="checkbox"/> STANDBY INDICATOR         | <input checked="" type="checkbox"/> PROGRAM VOLUME UP/DOMN |
| <input type="checkbox"/> BAND SELECT                          | <input checked="" type="checkbox"/> RCA SOCKET (SIDE)      |
| <input type="checkbox"/> EARPHONE INPUT                       | <input type="checkbox"/> OTHER _____                       |
| <input type="checkbox"/> AUTO SEARCH AND MANUAL TUNING SELECT |  |

D: CONSTRUCTION OF REAR PANEL

- 75Ω AERIAL TERMINAL
- 300Ω AERIAL TERMINAL
- RCA SOCKET(AV INPUT ONLY
- RCA SOCKET--AV IN/OUT
- RCA SOCKET --A-R+L IN/OUT, V- IN/OUT
- RCA SOCKET --A-R+L /V INPUT X 2,
- SCART SOCKET
- S.VHS INPUT
- EXT/INT SPEAKER SELECT
- EXT.SPEAKERS (R+L) TERMINALS
- EXT.SPEAKERS (R+L) RCA SOCKET
- SUPER WOOFER TERMINAL
- OTHER \_\_\_\_\_

E: AUDIO AND VIDEO INPUT/OUTPUT

- RCA SOCKET
- SCART SOCKET(AV)
- S SCART SOCKET(FULL)

SPECIFICATION	SCART	RCA
VIDEO INPUT 75Ω S	1V <sub>P-P</sub>	1V <sub>P-P</sub>
AUDIO INPUT 10kΩ (R+L)	0.5V <sub>rmS</sub>	0.5V <sub>rmS</sub>
VIDEO OUTPUT 75Ω	1V <sub>P-P</sub>	1V <sub>P-P</sub>
AUDIO OUTPUT 1kΩ (R+L)	0.5V <sub>rmS</sub>	0.5V <sub>rmS</sub>
RGB INTPUT 75Ω	0.7V <sub>P-P</sub>	
AUDIO LINE OUTPUT 1kΩ	1V <sub>P-P</sub>	

F: OTHERS INFORMATION

1. FLYBACK : \_\_\_\_\_
2. TUNER : \_\_\_\_\_
3. SAW FILTER : \_\_\_\_\_
4. POWER CORD : \_\_\_\_\_
5. FUSE : \_\_\_\_\_
6. COLOUR TEMP : \_\_\_\_\_
7. MAGNETIC FIELD : \_\_\_\_\_
8. IC EEPROM : \_\_\_\_\_
9. IR RECEIVER : \_\_\_\_\_
10. CIRCUIT DIAGRAM : \_\_\_\_\_
11. MAIN BOARD : \_\_\_\_\_

# **TB1240 + TCLM13 chassis alignment instruction**

## Enter factory mode in production line

Simply press the D-mode key on the factory remote handset.

## Enter service mode

Press and hold the VOLUME DOWN key tightly on the unit until minimum level and don't release the VOLUME DOWN key, then press the DISPLAY key on the remote handset three times.

"D" letter on the screen indicated that the factory mode was entered. Now you can use the shortcut key to access the factory menu. All change in factory data will save in EEPROM automatically

Note:

1. You can disable the D-Mode key (on factory remote handset) by change "BIT-0" of "MODE2" to "0". If the D-Mode key was disabled, you can't enter D-Mode by the D-mode key on the factory remote (but you can still enter service mode). It is suggested to disable the D-Mode key before the set leave the factory.
2. On the factory remote handset, you can find the "BUS OFF" key. It can cut off the I<sup>2</sup>C control from the CPU to other IC. This is only useful when automatic adjustment of white balance.
3. All system data in menu of "key 7" must keep unchanged when servicing. Otherwise, the set may not work properly.

## Setting method:

No	Adjustment Items	Data Name (default value inside blanket)	Conditions and input signal	Setting method (need enter D-mode)
1	Screen voltage	-----	"IRGB cut off" must set to 80 (all pattern)	● Press "MUTE" key on the remote handset and the screen will become a horizontal line. Then adjust the "screen" VR on the flyback until the horizontal line can just be seen (minimum visible intensity).
2	Focus voltage	-----	Cross hatch pattern.	● Adjust the "focus" VR on the flyback until the screen becomes clear.
3	VCO	-----	Apply an IF signal (see tuner spec. For frequency) to the IF input.	● Monitor the DC voltage at pin 48 of IC201, then adjust T271 until the voltage at pin 48 become 4.62 +/- 0.02 V. ● Press the AFT button on the factory remote and AFT adjustment will be done automatically.

4	Vertical geometry for PAL system (Key 2)	VPOS50 (04) HIGH50 (25) VLIN50 (04) VSC50 (05) OSD50 (20)	Input a PAL cross hatch pattern.	<ul style="list-style-type: none"> <li>● Adjust VPOS50 for vertical position.</li> <li>● Adjust HIGH50 for vertical amplitude.</li> <li>● Adjust VLIN50 for vertical linearity.</li> <li>● Adjust VSC50 for vertical S-correction</li> <li>● Adjust OSD50 for OSD position (normally use default value).</li> </ul>
5	Vertical geometry for NTSC system (Key 3)	VPOS60 (00) HIGH60 (2E) VLIN60 (05) VSC60 (0A) OSD60 (89)	Input a NTSC cross hatch pattern.	<ul style="list-style-type: none"> <li>● Adjust VPOS60 for vertical position.</li> <li>● Adjust HIGH60 for vertical amplitude.</li> <li>● Adjust VLIN60 for vertical linearity.</li> <li>● Adjust VSC60 for vertical S-correction</li> <li>● Adjust OSD60 for OSD position (normally use default value).</li> </ul>
6	Horizontal geometry for PAL system (Key 4)	HPOS50 (0D) HSIZE50 (2A) PARA50 (14) TRAP50 (0E) CORN50 (0A) VEHT50 (03) HEHT50 (02)	Input a PAL cross hatch pattern with black and white background.	<ul style="list-style-type: none"> <li>● Adjust HPOS50 for horizontal position.</li> <li>● Adjust HSIZE50 for horizontal width.</li> <li>● Adjust PARA50, TRAP50 and CORN50 until the vertical line at left and right side of the picture become straight.</li> <li>● VEHT and HENT is for the picture size stability when changing the brightness of the screen. Receive pattern of cross hatch with black background and then change to white background, then compare the vertical and horizontal size between black and white background. Adjust VEHT and HEHT until you get the minimum difference of screen size. After you adjust VEHT and HEHT, you must re-adjust vertical and horizontal amplitude.</li> </ul>
7	Horizontal geometry for NTSC system (Key 5)	HPOS60 (11) HSIZE60 (2A) PARA60 (18) TRAP60 (0D) CORN60 (0D) VEHT60 (03) HEHT60 (02)	Input a NTSC cross hatch pattern with black and white background.	<ul style="list-style-type: none"> <li>● Adjust HPOS60 for horizontal position.</li> <li>● Adjust HSIZE60 for horizontal width.</li> <li>● Adjust PARA60, TRAP60 and CORN60 until the vertical line at left and right side of the picture become straight.</li> <li>● Adjust VEHT and HEHT using same method of PAL system. Also need re-adjustment of vertical and horizontal amplitude.</li> </ul>
1 2	Key 6 (Status adjustment)	RFAGC (25) PIFAFT (44) HAFC (00) S-B-Y (08) S-R-Y (08) VOL 05 (48) VOL 25 (65) VOL OUT(73)	Receive a 60dB grey scale + color bar signal	<ul style="list-style-type: none"> <li>● RFAGC – monitor the voltage at AGC pin of the tuner. Then increase the setting of RFAGC until the tuner AGC voltage reach maximum (about 5V). Then decrease the RFAGC setting until the AGC voltage just drop.</li> <li>● Adjust S-B-Y and S-R-Y to get the optimal color for SECAM system.</li> <li>● Please keep the PIFAFT value after auto AFT adjustment.</li> <li>● HAFC item must use the default value.</li> </ul>

	(curve of volume control)		-----	<ul style="list-style-type: none"> <li>● VOL05 is the volume output level at 5%</li> <li>● VOL25 is the volume output level at 25%</li> </ul> <p>Remark: The value of VOL05 and VOL25 was not suggested to vary in every set. It is suggested to use the default value.</p>
13	White balance adjustment (key 1)	R CUT (6B) G CUT (9E) B CUT (7C) G DRV (39) B DRV (35)	Black and white pattern (PAL)	<ol style="list-style-type: none"> <li>1. Measure the dark side of the picture with a color analyzer and set RCUT to 80. Then adjust BCUT and GCUT until the data on the analyzer become x = 284, y = 299.</li> <li>2. Measure the bright side of the picture, Then adjust BDRV and GDRV until the data on the analyzer become x = 284, y = 299.</li> <li>3. Repeat step 1 and 2 until you get right color on both dark and bright side of the screen.</li> </ol>

#### Other adjustment (default value was suggested, except BRTC)

8	Key 0	OSD (0A) TXCX (30) RGCN (20) TNTX (25) TNTN (32) FM MODE (13) DKFMMD (20)	-----	<p>OSD – OSD position TXCX – OSD intensity when maximum contrast RGCN – OSD intensity when minimum contrast TNTX – maximum tint level TNTN – minimum tint level FM MODE – frequency shift for FM (mono) mode, only useful for NICAM model DKFMMD - frequency shift for DK NICAM mode</p>
9	Key 8	SCNT (0F) CNTX (3F) CNTN (00) BRTX (20) BRTN (25) COLX (35) COLN (00)	-----	<p>SCNT – sub contrast for luminance signal CNTX – maximum contrast CNTN – minimum contrast BRTX – maximum brightness BRTN – minimum brightness COLX – maximum color COLN – minimum color</p>
10	Key 9	CNTC (22) BRTC (37) COLC (50) TNTC (35) COLP (00) COLS (54) BRTS (00)	-----	<p>CNTC – 50% contrast BRTC – 50% brightness COLC – 50% color TNTC – 50% tint COLP – color level for PAL COLS – color level for SECAM BRTS – sub brightness for SECAM</p> <ul style="list-style-type: none"> <li>● For the adjustment of BRTC, receive an 8 step grey scale pattern and adjust all picture settings to 50%. Then adjust BRTC until the first and second step on the screen can just be distinguished.</li> </ul>



11	Two digit key -/-- (sharpness adjustment)	SHPTV3 (1A) SHPAV3 (1A) SHPTV4 (18) SHPAV4 (18) SHPX (1A) SHPN (1F)	-----	SHPTV3 – 50% sharpness in 3.58 system (TV) SHPAV3 – 50% sharpness in 3.58 system (AV) SHPTV4 – 50% sharpness in 4.43 system (TV) SHPAV4 – 50% sharpness in 4.43 system (AV) SHPX – maximum sharpness SHPN – minimum sharpness
13	KEY CALL	DBE STR 50 DBE HMC 0D DBE HP 07 DBE LP 00 DBE LIM FO SUB FRE 15 SUB HP 02 VOLMAI 03	Richly Music Signal	Effect Strength Harmonic Content High Pass Corner Frequency Low Pass Corner Frequency Amplitude Limit Subwoofer Corner Frequency Subwoofer Complementary High Pass Filter Volume Loudspeaker

### System data:

	Item	Adjust item	Default value
12	Key 7	VCDM0 VCDM1 VCDM2 MODE0 MODE1 MODE2 OPTION	It is subject to the current ODF. Please check the sample to get the value.

## System setting of M13

VCDM0 (default value: 28)

BIT	Item
0	System switch: 0 : normal identify mode 1 : weak signal identify mode
1	White peak suppress: 0: on 1: off
2,3	ABL gain 00: -0.74v 01: -0.64v 10: -0.37v 11: -0.12v
4,5	ABL start point 00: -0.01v 01: -0.11v 10: -0.3v 11: -0.45v
6	CW-SW: TB1238N, pin 29 Fsc CW output 0 : AUTO, 1 : 4.43M
7	In force system mode, the status of color killer when weak signal 0: on 1: off

VCDM1 (default value: 00)

BIT	Item
0	Blanking: 0: on 1: off
1,2,3,4,5	V-Mute timing: = 200ms + 8ms ×Data
6	Base band filter in NTSC system: 0: on, 1: off
7	VMOD

VCDM2 (default value: 40 for 38MHz IF, 30 for 38.9MHz IF)

BIT	Item
0	AFT-mute: 0: off, 1: on (brightness off)
1	SECAM-ADJ: 0: SECAM correction off, 1: SECAM correction on
2	TB1238N_VMOD
3	PIF VCO ADJ
6,5,4	IF frequency: 111: 33.9MHz    110: 33.95MHz    101: 34.47MHz    100: 38MHz 011: 38.9MHz    010: 39.5MHz    001: 45.75MHz    000: 58.75MHz
7	No use

MODE0

BIT	Item
0	0: normal AV 1: SCART (CATV)
1	SRS: 0: OFF 1: ON
2	SECAM system: 0: off, 1: on
3	High Sensibility: 0: off 1: on
4, 5	STANDBY status after switch on : 00 or 10: force STANDBY 01: force on. 11: status before switch off
6,7	Mode0.6, Mode0.7: 0X: English 10: English + Russia 11: English + Vietnamese

MODE1

BIT	Item
0	BG : 0 : off 1 : on
1	I : 0 : off 1 : on
2	DK : 0 : off 1 : on
3	M : 0 : off 1 : on
4, 5	SSIF1, SSIFO Default sound system after auto search: 00 : BG 01 : I 10 : DK 11 : M
6	AV/TV: 0: TV/AV 1: TV AV1/AV2
7	Number of channels: 0: 50 1: 100

MODE2

BIT	Item
0	D-MODE : 0: off 1: on
1	Teletext 0: off 1: on
2	COMB Filter 0: off 1: on
3	BBE 0: off 1: on
4	NICAM & IGR 0: off 1: on
5	WOOFER 0: off 1: on
6	DBE 0: off 1: on
7	VM 0: off 1: on

OPTION (default value: 10)

BIT	Item
0	When blue background off (mute pin of CPU): 0: audio mute on 1: audio mute off
1	When blue background off (external mute pin of CPU): 0: audio mute on 1: audio mute off
2	When change channel: 0: picture mute on 1: picture mute off
3	Audio demodulation gain setting: 0: 50KHz 1: 25KHz
4	When no signal: 0: search channel by changing VT 1: use memorized VT
5	Logo: 0: off 1: on
6	OSD black background: 0: off 1: on
7	Display on Sound Mode Changing: 0: on 1: off

Part number Description Qty Location -----

T825604TCR1	ASS'Y -CRT BD (S.S)	1	
101N4148ABX	DIODE 1N4148 (SWITCHING)	1	D501
101N4148ABX	DIODE 1N4148 (SWITCHING)	1	D502
101N4148ABX	DIODE 1N4148 (SWITCHING)	1	L501
11A562TM0BX	TRANSISTOR 2SA562TM-0	1	Q507
11SC1815YBX	TRANSISTOR 2SC1815Y	1	Q502
11SC1815YBX	TRANSISTOR 2SC1815Y	1	Q504
11SC1815YBX	TRANSISTOR 2SC1815Y	1	Q506
11SC45440AX	TRANSISTOR 2SC4544	1	Q501
11SC45440AX	TRANSISTOR 2SC4544	1	Q503
11SC45440AX	TRANSISTOR 2SC4544	1	Q505
18CB0102JNX	RES. C.F. 1K OHM 1/6W +/-5%	1	R515
18CB0272JNX	RES. C.F. 2.7k OHM 1/6W +/-5%	1	R514
18CB0561JNX	RES. C.F. 560 OHM 1/6W +/-5%	1	R501
18CB0561JNX	RES. C.F. 560 OHM 1/6W +/-5%	1	R505
18CB0561JNX	RES. C.F. 560 OHM 1/6W +/-5%	1	R510
18CB0681JNX	RES. C.F. 680 OHM 1/6W +/-5%	1	R502
18CB0681JNX	RES. C.F. 680 OHM 1/6W +/-5%	1	R506
18CB0681JNX	RES. C.F. 680 OHM 1/6W +/-5%	1	R509
18CB0681JNX	RES. C.F. 680 OHM 1/6W +/-5%	1	R522
18CB0681JNX	RES. C.F. 680 OHM 1/6W +/-5%	1	R503
18CB0681JNX	RES. C.F. 680 OHM 1/6W +/-5%	1	R508
18CB0681JNX	RES. C.F. 680 OHM 1/6W +/-5%	1	R513
18CB0681JNX	RES. C.F. 680 OHM 1/6W +/-5%	1	R511
18FE0272JNX	RES. M.O. 2.7K OHM 1/2W +/-5%	1	R519
18FE0272JNX	RES. M.O. 2.7K OHM 1/2W +/-5%	1	R520
18FE0272JNX	RES. M.O. 2.7K OHM 1/2W +/-5%	1	R521
18FG0183JHX	RES. M.O. 18K OHM 2W +/-5%	1	R516
18FG0183JHX	RES. M.O. 18K OHM 2W +/-5%	1	R517
18FG0183JHX	RES. M.O. 18K OHM 2W +/-5%	1	R518
25BLA100M1X	CAP. ELEC 10 UF 250V +/-20%	1	C504
26AMK182KRX	CAP. CER 1800PF 2KV +/-10% R	1	C505
26EBP103ZFX	CAP. CER 0.01UF 50V +80/-20% F	1	C508
26EBP103ZFX	CAP. CER 0.01UF 50V +80/-20% F	1	C509
26EBP391JCX	CAP. CER. 390PF 50V +/-5% CH	1	C502
26EBP391JCX	CAP. CER. 390PF 50V +/-5% CH	1	C501
26EBP471JCX	CAP. CER 470PF 50V +/-5% CH	1	C503
34R220K21BX	COIL CHOKE 22 UH +/-10%	1	L502
34R569K21BX	COIL CHOKE 5.6 UH +/-10%	1	L503
3523725000X	FERR. BEAD HF70	2	
4002501CCRG	P.C.B. CRT BD	1	
41WJ0050B00	WIRE BARE JUMPER 5MM	1	L504
41WJ0060B00	WIRE BARE JUMPER 6mm	1	R504
41WJ0060B00	WIRE BARE JUMPER 6mm	1	R507
41WJ0060B00	WIRE BARE JUMPER 6mm	1	R512
41WJ0075B00	WIRE BARE JUMPER 7.5MM	1	J503
4610967W01X	PIN BASE *1 TJC1-1A	1	
4630615H04X	HS 4P24 460 F/W TJC3-4Y/SCN-4	1	
4637030H05X	HS 5P 2468#24 450 TJC3-5Y/SCN	1	
472655400U7	SOCKET CRT GZS10-2-4 (C.B.)	1	S501
25BCB471M1X	CAP. ELEC 470 UF 16V +/-20%	1	C506
T825604TPW1	ASS'Y - POWER PARTS	1	

Part number Description Qty Location -----

1000EU1ZFBX	DIODE EU1Z (FAST RECOVERY)	1	D804
1000EU1ZFBX	DIODE EU1Z (FAST RECOVERY)	1	D805
1000EU1ZFBX	DIODE EU1Z (FAST RECOVERY)	1	D806
10HER108FBX	DIODE HER108	1	D803
100EU2YXFBX	DIODE EU2YX (FAST RECOVERY)	1	D833
100EU2YXFBX	DIODE EU2YX (FAST RECOVERY)	1	D834
100RU3AMF0X	DIODE RU3AM (FAST RECOVERY)	1	D831
100RU4YXF0X	DIODE RU4YX (FAST RECOVERY)	1	D830
101N4004EBX	DIODE IN4004 (RECTIFIER)	1	D843
101N4148ABX	DIODE 1N4148 (SWITCHING)	1	D842
1079C10VDBX	DIODE ZENER 10V 1/2W 5%	1	D840
1079C2V4DBX	DIODE ZENER 2V4 1/2W 5%	1	D841
1079C3V9DBX	DIODE ZENER 3V9 1/2W 5%	1	D839
10D3SB60H7X	DIODE D3SB60 (BRIDGE RECT.)	1	DB801
110BF4220BX	TRANSISTOR BF422 (NPN)	1	Q831
11SB649A0AX	TRANSISTOR 2SB649A	1	Q830
11SC47930AX	STANSISTOR 2SC4793	1	Q801
1300SE140NS	IC SE140N	1	IC831
13SFH615A3P	PHOTO COUPLER SFH615A3C	1	IC802
13STRF6656P	IC STR-F6656	1	IC801
18CB0152JNX	RES. C.F. 1.5k OHM 1/6W +/-5%	1	R833
18CB0223JNX	RES. C.F. 22k OHM 1/6W +/-5%	1	R840
18CB0332JNX	RES. C.F. 3.3k OHM 1/6W +/-5%	1	R838
18CB0392JNX	RES. C.F. 3.9K OHM 1/6W +/-5%	1	R841
18CD0102JNX	RES. C.F. 1k OHM 1/4W +/-5%	1	R805
18CD0102JNX	RES. C.F. 1k OHM 1/4W +/-5%	1	R808
18CD0272JNX	RES. C.F. 2.7K OHM 1/4W +/-5%	1	R813
18CD0470JNX	RES. C.F. 47 OHM 1/4W +/-5%	1	R809
18CD0479JNX	RES. C.F. 4.7 OHM 1/4W +/-5%	1	R811
18CD0560JNX	RES. C.F. 56 OHM 1/4W +/-5%	1	R837
18CD0829JNX	RES. C.F. 8.2 OHM 1/4W +/-5%	1	R842
18CE0105JNX	RES. C.F. 1M OHM 1/2W +/-5%	1	R806
18CE0105JNX	RES. C.F. 1M OHM 1/2W +/-5%	1	R806A
18CE0563JNX	RES. C.F. 56k OHM 1/2W +/-5%	1	R803
18CE0563JNX	RES. C.F. 56k OHM 1/2W +/-5%	1	R804
18FG0223JHX	RES. M.O. 22K OHM 2W +/-5%	1	R836
18FG0333JHX	RES. M.O. 33K OHM 2W +/-5%	1	R810
18FG0333JHX	RES. M.O. 33K OHM 2W +/-5%	1	R839
18GG0158JHX	RES WIRE ROUND 0.15 OHM 2W 5%	1	R807
18GG0228JHX	RES WIRE ROUND 0.22 OHM 2W 5%	1	R830
22NTC479XX0	NTC 4.7 OHM +/-18% NTC4.7D2-14	1	R802
22PTC200XA0	POSISTOR	1	RT801
25BKA100M1X	CAP. ELEC 10 UF 200V +/-20%	1	C808
25BKA100M1X	CAP. ELEC 10 UF 200V +/-20%	1	C838
25BKJ221M1X	CAP. ELEC 220 UF 200V +/-20%	1	C835
25BMJ221M1X	CAP. ELEC 220 UF 400V +/-20%	1	C806
26AIC221KBX	CAP. CER 220 PF 500V +/-10% B	1	C830
26AIC221KBX	CAP. CER 220 PF 500V +/-10% B	1	C833
26AIC221KBX	CAP. CER 220 PF 500V +/-10% B	1	C836
26AIC221KBX	CAP. CER 220 PF 500V +/-10% B	1	C841
26AIC221KBX	CAP. CER 220 PF 500V +/-10% B	1	C844
26AIM103KBX	CAP. CER 0.01UF 500V +/-10% B	1	C805

Part number Description Qty Location -----

26AIM103KBX	CAP. CER 0.01UF 500V +/-10% B	1	C834
26AIM103KBX	CAP. CER 0.01UF 500V +/-10% B	1	C837
26AKK222KRX	CAP. CER 2200 PF 1KV +/-10% R	1	C814
26AMM221JZX	CAP. CER 220 PF 2KV +/-5% SL	1	
26AMM221JZX	CAP. CER 220 PF 2KV +/-5% SL	1	C807
26APK471KBJ	CAP. CER 470pF 400VAC 10% B	1	C812
26APK471KBJ	CAP. CER 470pF 400VAC 10% B	1	C813
26AQA472ZFX	CAP. CER 4700PF 250VAC+80-20%F	1	C803
26AQA472ZFX	CAP. CER 4700PF 250VAC+80-20%F	1	C804
26EBP102KBX	CAP. CER 1000 PF 50V +/-10% B	1	C811
26EBP103ZFX	CAP. CER 0.01UF 50V +80/-20% F	1	C815
26EBP104ZFX	CAP. CER 0.1UF 50V +80%/-20%	1	C847
26EBP104ZFX	CAP. CER 0.1UF 50V +80%/-20%	1	C848
26EBP104ZFX	CAP. CER 0.1UF 50V +80%/-20%	1	C854
26EBP104ZFX	CAP. CER 0.1UF 50V +80%/-20%	1	C856
26EBP104ZFX	CAP. CER 0.1UF 50V +80%/-20%	1	C831
26EBP104ZFX	CAP. CER 0.1UF 50V +80%/-20%	1	C842
26EBP104ZFX	CAP. CER 0.1UF 50V +80%/-20%	1	C845
26EBP221JCX	CAP. CER 220PF 50V +/-5% CH	1	C810
27MHM104K0X	CAP. METAL P.E. 0.1UF 400V 10%	1	C802A
34A608K61BX	COIL CHOKE 0.6 UH +/-10%	1	L801
34R220K21BX	COIL CHOKE 22 UH +/-10%	1	L838
3523725000X	FERR. BEAD HF70	2	
3523725000X	FERR. BEAD HF70	2	
3523725000X	FERR. BEAD HF70	2	
3523725000X	FERR. BEAD HF70	2	
3523725000X	FERR. BEAD HF70	2	
3523725000X	FERR. BEAD HF70	2	
36304090002	LINE FILTER LCL-2826	1	T801
41WJ0050B00	WIRE BARE JUMPER 5MM	1	J802
41WJ0050B00	WIRE BARE JUMPER 5MM	1	J804
41WJ0050B00	WIRE BARE JUMPER 5MM	1	J805
41WJ0050B00	WIRE BARE JUMPER 5MM	1	J806
41WJ0050B00	WIRE BARE JUMPER 5MM	1	J807
41WJ0050B00	WIRE BARE JUMPER 5MM	1	J808
41WJ0065B00	WIRE BARE JUMPER 6.5MM	1	J451
41WJ0075B00	WIRE BARE JUMPER 7.5MM	1	J471
41WJ0100B00	WIRE BARE JUMPER 10MM	1	J371
41WJ0100B00	WIRE BARE JUMPER 10MM	1	J654
41WJ0100B00	WIRE BARE JUMPER 10MM	1	J655
41WJ0125B00	WIRE BARE JUMPER 12.5MM	1	R831
41WJ0125B00	WIRE BARE JUMPER 12.5MM	1	J361
41WJ0125B00	WIRE BARE JUMPER 12.5MM	1	J492
41WJ0145B00	WIRE BARE JUMPER 14.5MM	1	J491
41WJ0150B00	WIRE BARE JUMPER 15MM	1	R812
41WJ0155B00	WIRE BARE JUMPER 15.5MM	1	J561
41WJ0155B00	WIRE BARE JUMPER 15.5MM	1	J562
41WJ0175B00	WIRE BARE JUMPER 17.5MM	1	J281
41WJ0175B00	WIRE BARE JUMPER 17.5MM	1	J271
41WJ0180B00	WIRE BARE JUMPER 18MM	1	J353
41WJ0190B00	WIRE BARE JUMPER 19MM	1	J354
41WJ0200B00	WIRE BARE JUMPER 20MM	1	J381

Part number Description Qty Location -----

4610962W02X	PIN BASE *2 TJC2-2A	1	
4628559W02X	PIN BASE *2 TJC1-2A	1	
64B30120104	M/C SCREW B 3 X 12	1	
64P30080104	M/C SCREW P 3 X 8	1	
64P30080104	M/C SCREW P 3 X 8	1	
64P30080104	M/C SCREW P 3 X 8	2	
65Z3005023M	NUT M 3	1	
6620516X0B0	FUSE HOLDER	2	
67H109184M2	HEAT SINK	2	
67H295508A0	HEAT SINK	1	
67H346920A0	HEAT SINK	1	
663437300B0	HOLLOW RIVET 1.6X3.0XL3.2	4	
663437300B0	HOLLOW RIVET 1.6X3.0XL3.2	2	
1079C16VDBX	DIODE ZENER 16V 1/2W 5%	1	D807
100FR104FBX	DIODE FR104 (FAST RECTIFIER)	1	D832
36TRF001AX2	TRANSFORMER CONV. BCK-4901-77	1	T802
18KE0105JN3	RES. H.VOLT. CC 1M OHM 1/2W +/-5%	1	R801
18KF0825JH3	RES. H.VOLT.CC 8.2M OHM 1W +/-5%	1	R835
26APK222ME4	CAP. CER 2200PF 400VAC+/-20% E	1	C839
27AQT224MVH	CAP. M.PP 0.22 UF 250VAC 20%	1	C801
27AQT224MVH	CAP. M.PP 0.22 UF 250VAC 20%	1	C802
663437400B0	HOLLOW RIVET (2.3mmx4.0mmx3.5mm)	2	
25BCB331M1X	CAP. ELEC 330 UF 16V +/-20%	1	C843
25BCB331M1X	CAP. ELEC 330 UF 16V +/-20%	1	C846
25BCB470M1X	CAP. ELEC 47 UF 16V +/-20%	1	C849
25BCB470M1X	CAP. ELEC 47 UF 16V +/-20%	1	C855
25BDB470M1X	CAP. ELEC 47 UF 25V +/-20%	1	C809
25BEA102M1X	CAP. ELEC 1000 UF 35V +/-20%	1	C832
5003150D1GS1	FUSE 3.15AT 250VAC 5mmX20mm	1	F801
13UA7805C0S	IC UA7805C	1	IC841
13L7809CVAP	IC L7809CV	1	IC851
22PTC200XX0	POSISTOR 20 OHM (25-34)	1	RT801
36LIF001XX0	LINE FILTER LCL1602	1	T803
26AIC221KBX	CAP. CER 220 PF 500V +/-10% B	1	C811A
T825604TMAN	ASS'Y - MAIN BD	1	
07389VI5NX4	TUNER UV1355-BK2(BG/HB/IEC/5V	1	TU101
100BY228F0X	DIODE BY228	1	D411
101N4001EBX	DIODE 1N4001 (RECTIFIER)	1	D301
101N4148ABX	DIODE 1N4148 (SWITCHING)	1	D041
101N4148ABX	DIODE 1N4148 (SWITCHING)	1	D042
101N4148ABX	DIODE 1N4148 (SWITCHING)	1	D043
101N4148ABX	DIODE 1N4148 (SWITCHING)	1	D044
101N4148ABX	DIODE 1N4148 (SWITCHING)	1	D211
101N4148ABX	DIODE 1N4148 (SWITCHING)	1	D212
101N4148ABX	DIODE 1N4148 (SWITCHING)	1	D213
101N4148ABX	DIODE 1N4148 (SWITCHING)	1	D221
101N4148ABX	DIODE 1N4148 (SWITCHING)	1	D223
101N4148ABX	DIODE 1N4148 (SWITCHING)	1	D280
101N4148ABX	DIODE 1N4148 (SWITCHING)	1	D711
101N4148ABX	DIODE 1N4148 (SWITCHING)	1	D721
101N4148ABX	DIODE 1N4148 (SWITCHING)	1	D632
1079C12VDBX	DIODE ZENER 12V 1/2W 5%	1	D731

Part number Description Qty Location -----

1079C12VDBX	DIODE ZENER 12V 1/2W 5%	1	D732
1079C4V7DBX	DIODE ZENER 4V7 1/2W 5%	1	D222
1079C5V1DBX	DIODE ZENER 5V1 1/2W 5%	1	D061
1079C5V1DBX	DIODE ZENER 5V1 1/2W 5%	1	D101
1079C8V2DBX	DIODE ZENER 8V2 1/2W 5%	1	D471
10PC574JDJX	DIODE ZENER UPC 574J	1	D111
112N39040BX	TRANSISTOR 2N3904 (NPN)	1	Q091
11DD15560AX	TRANSISTOR 3DD1556	1	Q412
11SA1015YBX	TRANSISTOR 2SA1015Y	1	Q061
11SA1015YBX	TRANSISTOR 2SA1015Y	1	Q241
11SA1015YBX	TRANSISTOR 2SA1015Y	1	Q721
11SA1015YBX	TRANSISTOR 2SA1015Y	1	Q633
11SA1015YBX	TRANSISTOR 2SA1015Y	1	Q934
11SA1015YBX	TRANSISTOR 2SA1015Y	1	Q211
11SC1815YBX	TRANSISTOR 2SC1815Y	1	Q001
11SC1815YBX	TRANSISTOR 2SC1815Y	1	Q002
11SC1815YBX	TRANSISTOR 2SC1815Y	1	Q031
11SC1815YBX	TRANSISTOR 2SC1815Y	1	Q032
11SC1815YBX	TRANSISTOR 2SC1815Y	1	Q051
11SC1815YBX	TRANSISTOR 2SC1815Y	1	Q251
11SC1815YBX	TRANSISTOR 2SC1815Y	1	Q252
11SC1815YBX	TRANSISTOR 2SC1815Y	1	Q261
11SC1815YBX	TRANSISTOR 2SC1815Y	1	Q451
11SC1815YBX	TRANSISTOR 2SC1815Y	1	Q631
11SC1815YBX	TRANSISTOR 2SC1815Y	1	Q711
11SC1815YBX	TRANSISTOR 2SC1815Y	1	Q911
11SC1815YBX	TRANSISTOR 2SC1815Y	1	Q912
11SC1815YBX	TRANSISTOR 2SC1815Y	1	Q913
11SC1815YBX	TRANSISTOR 2SC1815Y	1	Q921
11SC1815YBX	TRANSISTOR 2SC1815Y	1	Q922
11SC1815YBX	TRANSISTOR 2SC1815Y	1	Q923
11SC1815YBX	TRANSISTOR 2SC1815Y	1	Q931
11SC1815YBX	TRANSISTOR 2SC1815Y	1	Q932
11SC1815YBX	TRANSISTOR 2SC1815Y	1	Q933
11SC1815YBX	TRANSISTOR 2SC1815Y	1	Q963
11SC1815YBX	TRANSISTOR 2SC1815Y	1	Q964
11SC1815YBX	TRANSISTOR 2SC1815Y	1	Q971
11SC1815YBX	TRANSISTOR 2SC1815Y	1	Q981
11SC1815YBX	TRANSISTOR 2SC1815Y	1	Q991
11SC1815YBX	TRANSISTOR 2SC1815Y	1	Q201
11SC3779DBX	TRANSISTOR 2SC3779D (RF AMPL)	1	Q121
11SC45440AX	TRANSISTOR 2SC4544	1	Q401
11SD1499QAX	TRANSISTOR 2SD1499-Q	1	Q722
11SK25410BX	TRANSISTOR 2SK2541 (N-CHANNEL)	1	Q052
11SK25410BX	TRANSISTOR 2SK2541 (N-CHANNEL)	1	Q212
1300004052P	IC 4052	1	IC961
1300004052P	IC 4052	1	IC962
1300M24C08P	IC EEPROM 8K M24C08	1	IC002
130TA8427KS	IC TA8427K	1	IC301
130TDA2616S	IC TDA2616 (AUDIO O/P)	1	IC601
13TA1216ANP	IC TA1216AN	1	IC651
13TB1240ANP	IC TB1240AN	1	IC201



Part number Description Qty Location -----

13A18V01TOP	IC TCL-A18V01-TO	1	IC001
18CB0101JNX	RES. C.F. 100 OHM 1/6W +/-5%	1	R003
18CB0101JNX	RES. C.F. 100 OHM 1/6W +/-5%	1	R006
18CB0101JNX	RES. C.F. 100 OHM 1/6W +/-5%	1	R007
18CB0101JNX	RES. C.F. 100 OHM 1/6W +/-5%	1	R009
18CB0101JNX	RES. C.F. 100 OHM 1/6W +/-5%	1	R015
18CB0101JNX	RES. C.F. 100 OHM 1/6W +/-5%	1	R016
18CB0101JNX	RES. C.F. 100 OHM 1/6W +/-5%	1	R065
18CB0101JNX	RES. C.F. 100 OHM 1/6W +/-5%	1	R073
18CB0101JNX	RES. C.F. 100 OHM 1/6W +/-5%	1	R075
18CB0101JNX	RES. C.F. 100 OHM 1/6W +/-5%	1	R241
18CB0101JNX	RES. C.F. 100 OHM 1/6W +/-5%	1	R253
18CB0101JNX	RES. C.F. 100 OHM 1/6W +/-5%	1	R651
18CB0101JNX	RES. C.F. 100 OHM 1/6W +/-5%	1	R652
18CB0102JNX	RES. C.F. 1K OHM 1/6W +/-5%	1	R062
18CB0102JNX	RES. C.F. 1K OHM 1/6W +/-5%	1	R067
18CB0102JNX	RES. C.F. 1K OHM 1/6W +/-5%	1	R071
18CB0102JNX	RES. C.F. 1K OHM 1/6W +/-5%	1	R091
18CB0102JNX	RES. C.F. 1K OHM 1/6W +/-5%	1	R124
18CB0102JNX	RES. C.F. 1K OHM 1/6W +/-5%	1	R220
18CB0102JNX	RES. C.F. 1K OHM 1/6W +/-5%	1	R243
18CB0102JNX	RES. C.F. 1K OHM 1/6W +/-5%	1	R269
18CB0102JNX	RES. C.F. 1K OHM 1/6W +/-5%	1	R271
18CB0102JNX	RES. C.F. 1K OHM 1/6W +/-5%	1	R301
18CB0102JNX	RES. C.F. 1K OHM 1/6W +/-5%	1	R304
18CB0102JNX	RES. C.F. 1K OHM 1/6W +/-5%	1	R451
18CB0102JNX	RES. C.F. 1K OHM 1/6W +/-5%	1	R911
18CB0102JNX	RES. C.F. 1K OHM 1/6W +/-5%	1	R912
18CB0102JNX	RES. C.F. 1K OHM 1/6W +/-5%	1	R921
18CB0102JNX	RES. C.F. 1K OHM 1/6W +/-5%	1	R922
18CB0102JNX	RES. C.F. 1K OHM 1/6W +/-5%	1	R936
18CB0102JNX	RES. C.F. 1K OHM 1/6W +/-5%	1	R938
18CB0102JNX	RES. C.F. 1K OHM 1/6W +/-5%	1	R939
18CB0102JNX	RES. C.F. 1K OHM 1/6W +/-5%	1	R945
18CB0102JNX	RES. C.F. 1K OHM 1/6W +/-5%	1	R946
18CB0102JNX	RES. C.F. 1K OHM 1/6W +/-5%	1	R947
18CB0102JNX	RES. C.F. 1K OHM 1/6W +/-5%	1	R948
18CB0102JNX	RES. C.F. 1K OHM 1/6W +/-5%	1	R966
18CB0102JNX	RES. C.F. 1K OHM 1/6W +/-5%	1	R968
18CB0102JNX	RES. C.F. 1K OHM 1/6W +/-5%	1	R200
18CB0103JNX	RES. C.F. 10K OHM 1/6W +/-5%	1	R005
18CB0103JNX	RES. C.F. 10K OHM 1/6W +/-5%	1	R017
18CB0103JNX	RES. C.F. 10K OHM 1/6W +/-5%	1	R029
18CB0103JNX	RES. C.F. 10K OHM 1/6W +/-5%	1	R031
18CB0103JNX	RES. C.F. 10K OHM 1/6W +/-5%	1	R051
18CB0103JNX	RES. C.F. 10K OHM 1/6W +/-5%	1	R054
18CB0103JNX	RES. C.F. 10K OHM 1/6W +/-5%	1	R055
18CB0103JNX	RES. C.F. 10K OHM 1/6W +/-5%	1	R061
18CB0103JNX	RES. C.F. 10K OHM 1/6W +/-5%	1	R101
18CB0103JNX	RES. C.F. 10K OHM 1/6W +/-5%	1	R102
18CB0103JNX	RES. C.F. 10K OHM 1/6W +/-5%	1	R225
18CB0103JNX	RES. C.F. 10K OHM 1/6W +/-5%	1	R633

Part number Description Qty Location -----

18CB0103JNX	RES. C.F. 10K OHM 1/6W +/-5%	1	R716
18CB0103JNX	RES. C.F. 10K OHM 1/6W +/-5%	1	R757
18CB0103JNX	RES. C.F. 10K OHM 1/6W +/-5%	1	R960
18CB0103JNX	RES. C.F. 10K OHM 1/6W +/-5%	1	R961
18CB0103JNX	RES. C.F. 10K OHM 1/6W +/-5%	1	R962
18CB0103JNX	RES. C.F. 10K OHM 1/6W +/-5%	1	R989
18CB0103JNX	RES. C.F. 10K OHM 1/6W +/-5%	1	R012A
18CB0103JNX	RES. C.F. 10K OHM 1/6W +/-5%	1	R237
18CB0103JNX	RES. C.F. 10K OHM 1/6W +/-5%	1	R722
18CB0104JNX	RES. C.F. 100K OHM 1/6W +/-5%	1	R053
18CB0104JNX	RES. C.F. 100K OHM 1/6W +/-5%	1	R206
18CB0104JNX	RES. C.F. 100K OHM 1/6W +/-5%	1	R917
18CB0104JNX	RES. C.F. 100K OHM 1/6W +/-5%	1	R918
18CB0104JNX	RES. C.F. 100K OHM 1/6W +/-5%	1	R919
18CB0104JNX	RES. C.F. 100K OHM 1/6W +/-5%	1	R926
18CB0104JNX	RES. C.F. 100K OHM 1/6W +/-5%	1	R927
18CB0104JNX	RES. C.F. 100K OHM 1/6W +/-5%	1	R928
18CB0104JNX	RES. C.F. 100K OHM 1/6W +/-5%	1	R929
18CB0104JNX	RES. C.F. 100K OHM 1/6W +/-5%	1	R973
18CB0104JNX	RES. C.F. 100K OHM 1/6W +/-5%	1	R983
18CB0104JNX	RES. C.F. 100K OHM 1/6W +/-5%	1	R056
18CB0104JNX	RES. C.F. 100K OHM 1/6W +/-5%	1	R205
18CB0104JNX	RES. C.F. 100K OHM 1/6W +/-5%	1	R273
18CB0104JNX	RES. C.F. 100K OHM 1/6W +/-5%	1	R274
18CB0106JNX	RES. C.F. 10M OHM 1/6W +/-5%	1	R116
18CB0123JNX	RES. C.F. 12k OHM 1/6W +/-5%	1	R244
18CB0123JNX	RES. C.F. 12k OHM 1/6W +/-5%	1	R951
18CB0124JNX	RES. C.F. 120K OHM 1/6W +/-5%	1	R287
18CB0151JNX	RES. C.F. 150 OHM 1/6W +/-5%	1	R127
18CB0151JNX	RES. C.F. 150 OHM 1/6W +/-5%	1	R934
18CB0151JNX	RES. C.F. 150 OHM 1/6W +/-5%	1	R935
18CB0151JNX	RES. C.F. 150 OHM 1/6W +/-5%	1	R994
18CB0152JNX	RES. C.F. 1.5k OHM 1/6W +/-5%	1	R204
18CB0152JNX	RES. C.F. 1.5k OHM 1/6W +/-5%	1	R212
18CB0152JNX	RES. C.F. 1.5k OHM 1/6W +/-5%	1	R213
18CB0152JNX	RES. C.F. 1.5k OHM 1/6W +/-5%	1	R214
18CB0152JNX	RES. C.F. 1.5k OHM 1/6W +/-5%	1	R063
18CB0153JNX	RES. C.F. 15k OHM 1/6W +/-5%	1	R057
18CB0153JNX	RES. C.F. 15k OHM 1/6W +/-5%	1	R072
18CB0153JNX	RES. C.F. 15k OHM 1/6W +/-5%	1	R112
18CB0153JNX	RES. C.F. 15k OHM 1/6W +/-5%	1	R113
18CB0153JNX	RES. C.F. 15k OHM 1/6W +/-5%	1	R452
18CB0153JNX	RES. C.F. 15k OHM 1/6W +/-5%	1	R987
18CB0153JNX	RES. C.F. 15k OHM 1/6W +/-5%	1	R288
18CB0153JNX	RES. C.F. 15k OHM 1/6W +/-5%	1	R632A
18CB0181JNX	RES. C.F. 180 OHM 1/6W +/-5%	1	R123
18CB0182JNX	RES. C.F. 1.8K OHM 1/6W +/-5%	1	R715
18CB0201JNX	RES. C.F. 200 OHM 1/6W +/-5%	1	R993
18CB0221JNX	RES. C.F. 220 OHM 1/6W +/-5%	1	R012
18CB0221JNX	RES. C.F. 220 OHM 1/6W +/-5%	1	R215
18CB0221JNX	RES. C.F. 220 OHM 1/6W +/-5%	1	R216
18CB0221JNX	RES. C.F. 220 OHM 1/6W +/-5%	1	R217

Part number Description Qty Location -----

18CB0221JNX	RES. C.F. 220 OHM 1/6W +/-5%	1	R255
18CB0221JNX	RES. C.F. 220 OHM 1/6W +/-5%	1	R261
18CB0221JNX	RES. C.F. 220 OHM 1/6W +/-5%	1	R401
18CB0221JNX	RES. C.F. 220 OHM 1/6W +/-5%	1	R264
18CB0221JNX	RES. C.F. 220 OHM 1/6W +/-5%	1	R203
18CB0222JNX	RES. C.F. 2.2k OHM 1/6W +/-5%	1	R036
18CB0222JNX	RES. C.F. 2.2k OHM 1/6W +/-5%	1	R041
18CB0222JNX	RES. C.F. 2.2k OHM 1/6W +/-5%	1	R042
18CB0222JNX	RES. C.F. 2.2k OHM 1/6W +/-5%	1	R043
18CB0222JNX	RES. C.F. 2.2k OHM 1/6W +/-5%	1	R044
18CB0222JNX	RES. C.F. 2.2k OHM 1/6W +/-5%	1	R218
18CB0222JNX	RES. C.F. 2.2k OHM 1/6W +/-5%	1	R603
18CB0222JNX	RES. C.F. 2.2k OHM 1/6W +/-5%	1	R604
18CB0222JNX	RES. C.F. 2.2k OHM 1/6W +/-5%	1	R713
18CB0222JNX	RES. C.F. 2.2k OHM 1/6W +/-5%	1	R914
18CB0222JNX	RES. C.F. 2.2k OHM 1/6W +/-5%	1	R924
18CB0222JNX	RES. C.F. 2.2k OHM 1/6W +/-5%	1	R972
18CB0222JNX	RES. C.F. 2.2k OHM 1/6W +/-5%	1	R982
18CB0222JNX	RES. C.F. 2.2k OHM 1/6W +/-5%	1	R988
18CB0222JNX	RES. C.F. 2.2k OHM 1/6W +/-5%	1	R991
18CB0222JNX	RES. C.F. 2.2k OHM 1/6W +/-5%	1	D215
18CB0222JNX	RES. C.F. 2.2k OHM 1/6W +/-5%	1	R202
18CB0222JNX	RES. C.F. 2.2k OHM 1/6W +/-5%	1	D631
18CB0223JNX	RES. C.F. 22k OHM 1/6W +/-5%	1	R092
18CB0223JNX	RES. C.F. 22k OHM 1/6W +/-5%	1	R631
18CB0223JNX	RES. C.F. 22k OHM 1/6W +/-5%	1	R915
18CB0223JNX	RES. C.F. 22k OHM 1/6W +/-5%	1	R916
18CB0223JNX	RES. C.F. 22k OHM 1/6W +/-5%	1	R920
18CB0223JNX	RES. C.F. 22k OHM 1/6W +/-5%	1	R925
18CB0223JNX	RES. C.F. 22k OHM 1/6W +/-5%	1	R952
18CB0224JNX	RES. C.F. 220k OHM 1/6W +/-5%	1	R251
18CB0271JNX	RES. C.F. 270 OHM 1/6W +/-5%	1	R711
18CB0272JNX	RES. C.F. 2.7k OHM 1/6W +/-5%	1	R227
18CB0302JNX	RES. C.F. 3K OHM 1/6W +/-5%	1	R601
18CB0302JNX	RES. C.F. 3K OHM 1/6W +/-5%	1	R602
18CB0331JNX	RES. C.F. 330 OHM 1/6W +/-5%	1	R222
18CB0331JNX	RES. C.F. 330 OHM 1/6W +/-5%	1	R223
18CB0331JNX	RES. C.F. 330 OHM 1/6W +/-5%	1	R229
18CB0331JNX	RES. C.F. 330 OHM 1/6W +/-5%	1	R259
18CB0332JNX	RES. C.F. 3.3k OHM 1/6W +/-5%	1	R013
18CB0332JNX	RES. C.F. 3.3k OHM 1/6W +/-5%	1	R014
18CB0332JNX	RES. C.F. 3.3k OHM 1/6W +/-5%	1	R034
18CB0332JNX	RES. C.F. 3.3k OHM 1/6W +/-5%	1	R074
18CB0332JNX	RES. C.F. 3.3k OHM 1/6W +/-5%	1	R076
18CB0332JNX	RES. C.F. 3.3k OHM 1/6W +/-5%	1	R111
18CB0332JNX	RES. C.F. 3.3k OHM 1/6W +/-5%	1	R254
18CB0332JNX	RES. C.F. 3.3k OHM 1/6W +/-5%	1	R302
18CB0332JNX	RES. C.F. 3.3k OHM 1/6W +/-5%	1	R472
18CB0333JNX	RES. C.F. 33K OHM 1/6W +/-5%	1	R289
18CB0333JNX	RES. C.F. 33K OHM 1/6W +/-5%	1	R114
18CB0333JNX	RES. C.F. 33K OHM 1/6W +/-5%	1	R208
18CB0333JNX	RES. C.F. 33K OHM 1/6W +/-5%	1	R714

Part number Description Qty Location -----

18CB0433JNX	RES. C.F. 43k OHM 1/6W +/-5%	1	R314
18CB0470JNX	RES. C.F. 47 OHM 1/6W +/-5%	1	R021
18CB0470JNX	RES. C.F. 47 OHM 1/6W +/-5%	1	R077
18CB0470JNX	RES. C.F. 47 OHM 1/6W +/-5%	1	R084
18CB0470JNX	RES. C.F. 47 OHM 1/6W +/-5%	1	R085
18CB0470JNX	RES. C.F. 47 OHM 1/6W +/-5%	1	R940
18CB0471JNX	RES. C.F. 470 OHM 1/6W +/-5%	1	R037
18CB0471JNX	RES. C.F. 470 OHM 1/6W +/-5%	1	R125
18CB0471JNX	RES. C.F. 470 OHM 1/6W +/-5%	1	R252
18CB0471JNX	RES. C.F. 470 OHM 1/6W +/-5%	1	R931
18CB0471JNX	RES. C.F. 470 OHM 1/6W +/-5%	1	R932
18CB0472JNX	RES. C.F. 4.7k OHM 1/6W +/-5%	1	R035
18CB0472JNX	RES. C.F. 4.7k OHM 1/6W +/-5%	1	R066
18CB0472JNX	RES. C.F. 4.7k OHM 1/6W +/-5%	1	R211
18CB0472JNX	RES. C.F. 4.7k OHM 1/6W +/-5%	1	R965
18CB0472JNX	RES. C.F. 4.7k OHM 1/6W +/-5%	1	R967
18CB0472JNX	RES. C.F. 4.7k OHM 1/6W +/-5%	1	R201
18CB0472JNX	RES. C.F. 4.7k OHM 1/6W +/-5%	1	R953
18CB0472JNX	RES. C.F. 4.7k OHM 1/6W +/-5%	1	R954
18CB0473JNX	RES. C.F. 47K OHM 1/6W +/-5%	1	R052
18CB0473JNX	RES. C.F. 47K OHM 1/6W +/-5%	1	R115
18CB0473JNX	RES. C.F. 47K OHM 1/6W +/-5%	1	R262
18CB0473JNX	RES. C.F. 47K OHM 1/6W +/-5%	1	R263
18CB0473JNX	RES. C.F. 47K OHM 1/6W +/-5%	1	R284
18CB0560JNX	RES. C.F. 56 OHM 1/6W +/-5%	1	R122
18CB0561JNX	RES. C.F. 560 OHM 1/6W +/-5%	1	R228
18CB0750JNX	RES. C.F. 75 OHM 1/6W +/-5%	1	R933
18CB0752JNX	RES. C.F. 7.5K OHM 1/6W +/-5%	1	R221
18CB0820JNX	RES. C.F. 82 OHM 1/6W +/-5%	1	R913
18CB0820JNX	RES. C.F. 82 OHM 1/6W +/-5%	1	R923
18CB0820JNX	RES. C.F. 82 OHM 1/6W +/-5%	1	R971
18CB0820JNX	RES. C.F. 82 OHM 1/6W +/-5%	1	R981
18CB0822JNX	RES. C.F. 8.2K OHM 1/6W +/-5%	1	R286
18CD0100JNX	RES. C.F. 10 OHM 1/4W +/-5%	1	R064
18CD0102JNX	RES. C.F. 1k OHM 1/4W +/-5%	1	R724
18CD0222JNX	RES. C.F. 2.2K OHM 1/4W +/-5%	1	R723
18CD0272JNX	RES. C.F. 2.7K OHM 1/4W +/-5%	1	J691
18CD0332JNX	RES. C.F. 3.3K OHM 1/4W +/-5%	1	R313
18CD0392JNX	RES. C.F. 3.9K OHM 1/4W +/-5%	1	R725
18CD0472JNX	RES. C.F. 4.7K OHM 1/4W +/-5%	1	R312
18CD0829JNX	RES. C.F. 8.2 OHM 1/4W +/-5%	1	R607
18CD0829JNX	RES. C.F. 8.2 OHM 1/4W +/-5%	1	R608
18CE0121JNX	RES. C.F. 120 OHM 1/2W +/-5%	1	R731
18CE0229JNX	RES. C.F. 2.2 OHM 1/2W +/-5%	1	R305
18CE0470JNX	RES. C.F. 47 OHM 1/2W +/-5%	1	R103
18EG0159JHX	RES. FUS. 1.5 OHM 2W +/-5%	1	R461
18EG0109JHX	RES. FUS. 1 OHM 2W +/-5%	1	R431
18FE0121JNX	RES. M.O. 120 OHM 1/2W +/-5%	1	R306
18FE0472JNX	RES. M.O. 4.7K OHM 1/2W +/-5%	1	R471
18FF0103JGX	RES. M.O. 10k OHM 1W +/-5%	1	R421
18FF0221JGX	RES. M.O. 220 OHM 1W +/-5%	1	R307
18FF0242JGX	RES. M.O. 2.4K OHM 1W +/-5%	1	R402

Part number Description Qty Location -----

18FF0681JGX	RES. M.O. 680 OHM 1W +/-5%	1	R411
18FG0399JHX	RES. M.O. 3.9 OHM 2W +/-5%	1	R726
18FG0479JHX	RES. M.O. 4.7 OHM 2W +/-5%	1	R303
18GF0109JGX	RES WIRE ROUND 1 OHM 1W +/-5%	1	R311
18GG0109JHX	RES WIRE ROUND 1 OHM 2W +/-5%	1	R422
18GM0302KTX	RES. CEMENT 3K OHM 7W +/-10%	1	R404
25264610M1X	CAP. ELEC 4.7UF 50V +/-20% NP	1	C417
25BKA100M1X	CAP. ELEC 10 UF 200V +/-20%	1	C421
25BKG101M1X	CAP. ELEC 100 UF 200V +/-20%	1	C422
25BLA100M1X	CAP. ELEC 10 UF 250V +/-20%	1	C442
25GFB109K1X	CAP. ELEC 1UF 50V +/-10%	1	C223
26AIC221KBX	CAP. CER 220 PF 500V +/-10% B	1	C431
26AIC221KBX	CAP. CER 220 PF 500V +/-10% B	1	C441
26AIC332KBX	CAP. CER 3300 PF 500V +/-10% B	1	C402
26AIC391KBX	CAP. CER 390 PF 500V +/-10% B	1	C403
26AIM103KBX	CAP. CER 0.01UF 500V +/-10% B	1	C401
26EBP101JCX	CAP. CER 100PF 50V +/-5% CH	1	C032
26EBP101JCX	CAP. CER 100PF 50V +/-5% CH	1	C254
26EBP101JCX	CAP. CER 100PF 50V +/-5% CH	1	C255
26EBP101JCX	CAP. CER 100PF 50V +/-5% CH	1	C071
26EBP101JCX	CAP. CER 100PF 50V +/-5% CH	1	C272
26EBP102KBX	CAP. CER 1000 PF 50V +/-10% B	1	C001
26EBP102KBX	CAP. CER 1000 PF 50V +/-10% B	1	C002
26EBP102KBX	CAP. CER 1000 PF 50V +/-10% B	1	C013
26EBP102KBX	CAP. CER 1000 PF 50V +/-10% B	1	C061
26EBP102KBX	CAP. CER 1000 PF 50V +/-10% B	1	C062
26EBP102KBX	CAP. CER 1000 PF 50V +/-10% B	1	C127
26EBP102KBX	CAP. CER 1000 PF 50V +/-10% B	1	C224
26EBP102KBX	CAP. CER 1000 PF 50V +/-10% B	1	C305
26EBP102KBX	CAP. CER 1000 PF 50V +/-10% B	1	C312
26EBP102KBX	CAP. CER 1000 PF 50V +/-10% B	1	C411
26EBP102KBX	CAP. CER 1000 PF 50V +/-10% B	1	C602
26EBP102KBX	CAP. CER 1000 PF 50V +/-10% B	1	C606
26EBP102KBX	CAP. CER 1000 PF 50V +/-10% B	1	C942
26EBP102KBX	CAP. CER 1000 PF 50V +/-10% B	1	C971
26EBP102KBX	CAP. CER 1000 PF 50V +/-10% B	1	C265
26EBP103ZFX	CAP. CER 0.01UF 50V +80/-20% F	1	C075
26EBP103ZFX	CAP. CER 0.01UF 50V +80/-20% F	1	C083
26EBP103ZFX	CAP. CER 0.01UF 50V +80/-20% F	1	C111
26EBP103ZFX	CAP. CER 0.01UF 50V +80/-20% F	1	C121
26EBP103ZFX	CAP. CER 0.01UF 50V +80/-20% F	1	C125
26EBP103ZFX	CAP. CER 0.01UF 50V +80/-20% F	1	C126
26EBP103ZFX	CAP. CER 0.01UF 50V +80/-20% F	1	C203
26EBP103ZFX	CAP. CER 0.01UF 50V +80/-20% F	1	C205
26EBP103ZFX	CAP. CER 0.01UF 50V +80/-20% F	1	C215
26EBP103ZFX	CAP. CER 0.01UF 50V +80/-20% F	1	C226
26EBP103ZFX	CAP. CER 0.01UF 50V +80/-20% F	1	C229
26EBP103ZFX	CAP. CER 0.01UF 50V +80/-20% F	1	C256
26EBP103ZFX	CAP. CER 0.01UF 50V +80/-20% F	1	C273
26EBP103ZFX	CAP. CER 0.01UF 50V +80/-20% F	1	C275
26EBP103ZFX	CAP. CER 0.01UF 50V +80/-20% F	1	C657
26EBP103ZFX	CAP. CER 0.01UF 50V +80/-20% F	1	C732

Part number Description Qty Location -----

26EBP103ZFX	CAP. CER 0.01UF 50V +80/-20% F	1	C935
26EBP103ZFX	CAP. CER 0.01UF 50V +80/-20% F	1	C961
26EBP103ZFX	CAP. CER 0.01UF 50V +80/-20% F	1	C962
26EBP104ZFX	CAP. CER 0.1UF 50V +80%/-20%	1	C107
26EBP104ZFX	CAP. CER 0.1UF 50V +80%/-20%	1	C114
26EBP104ZFX	CAP. CER 0.1UF 50V +80%/-20%	1	C204
26EBP104ZFX	CAP. CER 0.1UF 50V +80%/-20%	1	C609
26EBP104ZFX	CAP. CER 0.1UF 50V +80%/-20%	1	C635
26EBP104ZFX	CAP. CER 0.1UF 50V +80%/-20%	1	C673
26EBP104ZFX	CAP. CER 0.1UF 50V +80%/-20%	1	C674
26EBP104ZFX	CAP. CER 0.1UF 50V +80%/-20%	1	C675
26EBP104ZFX	CAP. CER 0.1UF 50V +80%/-20%	1	C745
26EBP104ZFX	CAP. CER 0.1UF 50V +80%/-20%	1	C945
26EBP120JCX	CAP. CER 12PF 50V +/-5% CH	1	C209
26EBP150JCX	CAP. CER 15PF 50V +/-5% CH	1	C041
26EBP150JCX	CAP. CER 15PF 50V +/-5% CH	1	C042
26EBP150JCX	CAP. CER 15PF 50V +/-5% CH	1	C043
26EBP150JCX	CAP. CER 15PF 50V +/-5% CH	1	C044
26EBP220JCX	CAP. CER 22PF 50V +/-5% CH	1	C053
26EBP220JCX	CAP. CER 22PF 50V +/-5% CH	1	C054
26EBP221JCX	CAP. CER 220PF 50V +/-5% CH	1	C021
26EBP221JCX	CAP. CER 220PF 50V +/-5% CH	1	C092
26EBP221JCX	CAP. CER 220PF 50V +/-5% CH	1	C112
26EBP221JCX	CAP. CER 220PF 50V +/-5% CH	1	C228A
26EBP222KBX	CAP. CER 2200PF 50V +/-10% B	1	C452
26EBP300JZX	CAP. CER 30PF 50V +/-5% SL	1	C055
26EBP300JZX	CAP. CER 30PF 50V +/-5% SL	1	C056
26EBP330JZX	CAP. CER 33PF 50V +/-5% SL TU	1	C128
26EBP330JZX	CAP. CER 33PF 50V +/-5% SL TU	1	C953
26EBP331JCX	CAP. CER 330PF 50V +/-5% CH	1	C004
26EBP331JCX	CAP. CER 330PF 50V +/-5% CH	1	C063
26EBP331JCX	CAP. CER 330PF 50V +/-5% CH	1	C084
26EBP331JCX	CAP. CER 330PF 50V +/-5% CH	1	C085
26EBP331JCX	CAP. CER 330PF 50V +/-5% CH	1	C091
26EBP331JCX	CAP. CER 330PF 50V +/-5% CH	1	C301
26EBP390JCX	CAP. CER 39PF 50V +/-5% CH	1	C051
26EBP470JZX	CAP. CER 47PF 50V +/-5% SL	1	C072
26EBP470JZX	CAP. CER 47PF 50V +/-5% SL	1	C073
26EBP470JZX	CAP. CER 47PF 50V +/-5% SL	1	C261
26EBP470JZX	CAP. CER 47PF 50V +/-5% SL	1	T141
26EBP470JZX	CAP. CER 47PF 50V +/-5% SL	1	C262
27AHR434J0X	CAP. M.PP 0.43 UF 400V +/-5%	1	C418
27ALQ332J0X	CAP. M.PP 3300PF 1.6KV +/-5%	1	C413
27ALR392J0X	CAP. M.PP 3900 PF 1.6KV +/-5%	1	C415
27ALR922J0X	CAP. M.PP 0.0092UF 1.6KV +/-5%	1	C414
27MBC104J0X	CAP. M.P.E 0.1 UF 63V +/-5%	1	C102
27MBC104J0X	CAP. M.P.E 0.1 UF 63V +/-5%	1	C211
27MBC104J0X	CAP. M.P.E 0.1 UF 63V +/-5%	1	C212
27MBC104J0X	CAP. M.P.E 0.1 UF 63V +/-5%	1	C213
27MBC104J0X	CAP. M.P.E 0.1 UF 63V +/-5%	1	C242
27MBC104J0X	CAP. M.P.E 0.1 UF 63V +/-5%	1	C252
27MBC224J0X	CAP. M.P.E 0.22UF 63V +/-5%	1	C113

Part number Description Qty Location -----

27MBC224J0X	CAP. M.P.E 0.22UF 63V +/-5%	1	C307
27MBC474J0X	CAP. M.P.E 0.47UF 63V +/-5%	1	C225
27MBC474J0X	CAP. M.P.E 0.47UF 63V +/-5%	1	C243
27MBC474J0X	CAP. M.P.E 0.47UF 63V +/-5%	1	C603
27MBC474J0X	CAP. M.P.E 0.47UF 63V +/-5%	1	C604
27MCC272J0X	CAP. M.P.E 2700PF 100V +/-5%	1	C471
27PBC103J0X	CAP. P.E. 0.01UF 63V +/-5%	1	C052
27PBC222J0X	CAP. P.E 0.0022UF 63V +/-5%	1	C207
27PBC222J0X	CAP. P.E 0.0022UF 63V +/-5%	1	C221
27PBC223J0X	CAP. P.E 0.022 UF 63V +/-5%	1	C611
27PBC223J0X	CAP. P.E 0.022 UF 63V +/-5%	1	C612
27PBC223J0X	CAP. P.E 0.022 UF 63V +/-5%	1	C201
27PBC273J0X	CAP. P.E 0.027UF 63V +/-5%	1	C659
27PBC273J0X	CAP. P.E 0.027UF 63V +/-5%	1	C653
27PBC333J0X	CAP. P.E 0.033UF 63V +/-5%	1	C302
27PBC393J0X	CAP. P.E 0.039UF 63V +/-5%	1	C308
27PBC472J0X	CAP. P.E 0.0047UF 63V +/-5%	1	C244
27PBC563J0X	CAP. P.E 0.056 UF 63V +/-5%	1	C304
27PBC822J0X	CAP. P.E 0.0082UF 63V +/-5%	1	C652
27PBC822J0X	CAP. P.E 0.0082UF 63V +/-5%	1	C656
27RHQ223J0X	CAP. PP 0.022 UF 400V +/-5%	1	C416
27RHQ563J0X	CAP. PP 0.056 UF 400V +/-5%	1	C451
34A608K61BX	COIL CHOKE 0.6 UH +/-10%	1	L412
34R100J20EX	COIL PL - 10 UH +/-5%	1	L252
34R101J20EX	COIL PL - 100 UH +/-5%	1	L201
34R101J20EX	COIL PL - 100 UH +/-5%	1	L211
34R101J20EX	COIL PL - 100 UH +/-5%	1	L271
34R120J20EX	COIL PL - 12 UH +/-5%	1	L256
34R120J20EX	COIL PL - 12 UH +/-5%	1	L262
34R220J20EX	COIL PL - 22 UH +/-5%	1	L051
34R220J20EX	COIL PL - 22 UH +/-5%	1	L081
34R220J20EX	COIL PL - 22 UH +/-5%	1	L251
34R229J20EX	COIL PL - 2.2 UH +/-5%	1	L053
36LIN210XX1	COIL LINEARITY 21 UH	1	L413
36WID801XX1	COIL WIDTH 800 UH	1	L414
37BSC2901650X	FLYBACK BSC29-0165	1	T461
3823656000X	COIL I.F.T. 236560 FOR VCO	1	T271
402916MTMAH	P.C.B. MAIN BD	1	
41BF00800BB	WIRE UL 1007 #24 80MM BLACK	1	
11SA1015YBX	TRANSISTOR 2SA1015Y	1	Q242
41WJ0050B00	WIRE BARE JUMPER 5MM	1	C946
41WJ0050B00	WIRE BARE JUMPER 5MM	1	J022
41WJ0050B00	WIRE BARE JUMPER 5MM	1	J773
41WJ0050B00	WIRE BARE JUMPER 5MM	1	J871
41WJ0050B00	WIRE BARE JUMPER 5MM	1	J954
41WJ0050B00	WIRE BARE JUMPER 5MM	1	J955
41WJ0050B00	WIRE BARE JUMPER 5MM	1	J410A
41WJ0050B00	WIRE BARE JUMPER 5MM	1	J415
41WJ0050B00	WIRE BARE JUMPER 5MM	1	J416
41WJ0050B00	WIRE BARE JUMPER 5MM	1	J417
41WJ0050B00	WIRE BARE JUMPER 5MM	1	J418
41WJ0050B00	WIRE BARE JUMPER 5MM	1	J419

Part number Description Qty Location -----

41WJ0050B00	WIRE BARE JUMPER 5MM	1	J420
41WJ0050B00	WIRE BARE JUMPER 5MM	1	J435
41WJ0050B00	WIRE BARE JUMPER 5MM	1	J436
41WJ0050B00	WIRE BARE JUMPER 5MM	1	J437
41WJ0050B00	WIRE BARE JUMPER 5MM	1	J636
41WJ0050B00	WIRE BARE JUMPER 5MM	1	J637
41WJ0050B00	WIRE BARE JUMPER 5MM	1	J525
41WJ0050B00	WIRE BARE JUMPER 5MM	1	J638
41WJ0060B00	WIRE BARE JUMPER 6mm	1	J044
41WJ0060B00	WIRE BARE JUMPER 6mm	1	J123
41WJ0060B00	WIRE BARE JUMPER 6mm	1	J132
41WJ0060B00	WIRE BARE JUMPER 6mm	1	J141
41WJ0060B00	WIRE BARE JUMPER 6mm	1	J229
41WJ0060B00	WIRE BARE JUMPER 6mm	1	J230
41WJ0060B00	WIRE BARE JUMPER 6mm	1	J232
41WJ0060B00	WIRE BARE JUMPER 6mm	1	J242
41WJ0060B00	WIRE BARE JUMPER 6mm	1	J261
41WJ0060B00	WIRE BARE JUMPER 6mm	1	J301
41WJ0060B00	WIRE BARE JUMPER 6mm	1	J338
41WJ0060B00	WIRE BARE JUMPER 6mm	1	J401
41WJ0060B00	WIRE BARE JUMPER 6mm	1	J421
41WJ0060B00	WIRE BARE JUMPER 6mm	1	J512
41WJ0060B00	WIRE BARE JUMPER 6mm	1	J543
41WJ0060B00	WIRE BARE JUMPER 6mm	1	J601
41WJ0060B00	WIRE BARE JUMPER 6mm	1	J633
41WJ0060B00	WIRE BARE JUMPER 6mm	1	J732
41WJ0060B00	WIRE BARE JUMPER 6mm	1	J733
41WJ0060B00	WIRE BARE JUMPER 6mm	1	J825
41WJ0060B00	WIRE BARE JUMPER 6mm	1	J826
41WJ0060B00	WIRE BARE JUMPER 6mm	1	J832
41WJ0060B00	WIRE BARE JUMPER 6mm	1	J834
41WJ0060B00	WIRE BARE JUMPER 6mm	1	J836
41WJ0060B00	WIRE BARE JUMPER 6mm	1	J837
41WJ0060B00	WIRE BARE JUMPER 6mm	1	J838
41WJ0060B00	WIRE BARE JUMPER 6mm	1	J911
41WJ0060B00	WIRE BARE JUMPER 6mm	1	J921
41WJ0060B00	WIRE BARE JUMPER 6mm	1	R126
41WJ0060B00	WIRE BARE JUMPER 6mm	1	R224
41WJ0140B00	WIRE BARE JUMPER 14MM	1	J321
41WJ0060B00	WIRE BARE JUMPER 6mm	1	R028A
41WJ0060B00	WIRE BARE JUMPER 6mm	1	R028B
41WJ0060B00	WIRE BARE JUMPER 6mm	1	R028C
41WJ0060B00	WIRE BARE JUMPER 6mm	1	J720
41WJ0060B00	WIRE BARE JUMPER 6mm	1	J523
41WJ0060B00	WIRE BARE JUMPER 6mm	1	J327
41WJ0060B00	WIRE BARE JUMPER 6mm	1	J328
41WJ0060B00	WIRE BARE JUMPER 6mm	1	R027
41WJ0060B00	WIRE BARE JUMPER 6mm	1	R023
41WJ0060B00	WIRE BARE JUMPER 6mm	1	R024
41WJ0060B00	WIRE BARE JUMPER 6mm	1	R025
41WJ0060B00	WIRE BARE JUMPER 6mm	1	R026
41WJ0065B00	WIRE BARE JUMPER 6.5MM	1	J615



Part number                                  Description                                  Qty                                  Location -----

41WJ0065B00	WIRE BARE JUMPER 6.5MM	1	J514
41WJ0065B00	WIRE BARE JUMPER 6.5MM	1	J511
41WJ0065B00	WIRE BARE JUMPER 6.5MM	1	J433
41WJ0065B00	WIRE BARE JUMPER 6.5MM	1	J632
41WJ0065B00	WIRE BARE JUMPER 6.5MM	1	J725
41WJ0065B00	WIRE BARE JUMPER 6.5MM	1	J729
41WJ0065B00	WIRE BARE JUMPER 6.5MM	1	J410
41WJ0065B00	WIRE BARE JUMPER 6.5MM	1	R238
41WJ0070B00	WIRE BARE JUMPER 7MM	1	J513
41WJ0070B00	WIRE BARE JUMPER 7MM	1	J426
41WJ0070B00	WIRE BARE JUMPER 7MM	1	J023
41WJ0070B00	WIRE BARE JUMPER 7MM	1	J726
41WJ0070B00	WIRE BARE JUMPER 7MM	1	J741
41WJ0070B00	WIRE BARE JUMPER 7MM	1	J671
41WJ0070B00	WIRE BARE JUMPER 7MM	1	J672
41WJ0070B00	WIRE BARE JUMPER 7MM	1	J724
41WJ0075B00	WIRE BARE JUMPER 7.5MM	1	D141
41WJ0075B00	WIRE BARE JUMPER 7.5MM	1	J041
41WJ0075B00	WIRE BARE JUMPER 7.5MM	1	J043
41WJ0075B00	WIRE BARE JUMPER 7.5MM	1	J124
41WJ0075B00	WIRE BARE JUMPER 7.5MM	1	J151
41WJ0075B00	WIRE BARE JUMPER 7.5MM	1	J152
41WJ0075B00	WIRE BARE JUMPER 7.5MM	1	J154
41WJ0075B00	WIRE BARE JUMPER 7.5MM	1	J207
41WJ0075B00	WIRE BARE JUMPER 7.5MM	1	J208
41WJ0075B00	WIRE BARE JUMPER 7.5MM	1	J217
41WJ0075B00	WIRE BARE JUMPER 7.5MM	1	J241
41WJ0075B00	WIRE BARE JUMPER 7.5MM	1	J331
41WJ0075B00	WIRE BARE JUMPER 7.5MM	1	J351
41WJ0075B00	WIRE BARE JUMPER 7.5MM	1	J412
41WJ0075B00	WIRE BARE JUMPER 7.5MM	1	J541
41WJ0075B00	WIRE BARE JUMPER 7.5MM	1	J551
41WJ0075B00	WIRE BARE JUMPER 7.5MM	1	J642
41WJ0075B00	WIRE BARE JUMPER 7.5MM	1	J651
41WJ0075B00	WIRE BARE JUMPER 7.5MM	1	J656
41WJ0075B00	WIRE BARE JUMPER 7.5MM	1	J693
41WJ0075B00	WIRE BARE JUMPER 7.5MM	1	J712
41WJ0075B00	WIRE BARE JUMPER 7.5MM	1	J734
41WJ0075B00	WIRE BARE JUMPER 7.5MM	1	J812
41WJ0075B00	WIRE BARE JUMPER 7.5MM	1	J821
41WJ0075B00	WIRE BARE JUMPER 7.5MM	1	J833
41WJ0075B00	WIRE BARE JUMPER 7.5MM	1	J851
41WJ0075B00	WIRE BARE JUMPER 7.5MM	1	J915
41WJ0075B00	WIRE BARE JUMPER 7.5MM	1	J405
41WJ0075B00	WIRE BARE JUMPER 7.5MM	1	J406
41WJ0075B00	WIRE BARE JUMPER 7.5MM	1	J407
41WJ0075B00	WIRE BARE JUMPER 7.5MM	1	J408
41WJ0075B00	WIRE BARE JUMPER 7.5MM	1	J521
41WJ0075B00	WIRE BARE JUMPER 7.5MM	1	J941
41WJ0080B00	WIRE BARE JUMPER 8 MM	1	J201
41WJ0080B00	WIRE BARE JUMPER 8 MM	1	J425
41WJ0080B00	WIRE BARE JUMPER 8 MM	1	J443

Part number Description Qty Location -----

41WJ0080B00	WIRE BARE JUMPER 8 MM	1	J453
41WJ0085B00	WIRE BARE JUMPER 8.5MM	1	J122
41WJ0085B00	WIRE BARE JUMPER 8.5MM	1	J204
41WJ0085B00	WIRE BARE JUMPER 8.5MM	1	J205
41WJ0085B00	WIRE BARE JUMPER 8.5MM	1	J424
41WJ0085B00	WIRE BARE JUMPER 8.5MM	1	J441
41WJ0085B00	WIRE BARE JUMPER 8.5MM	1	J502
41WJ0085B00	WIRE BARE JUMPER 8.5MM	1	J503
41WJ0085B00	WIRE BARE JUMPER 8.5MM	1	J553
41WJ0085B00	WIRE BARE JUMPER 8.5MM	1	J554
41WJ0085B00	WIRE BARE JUMPER 8.5MM	1	J621
41WJ0085B00	WIRE BARE JUMPER 8.5MM	1	J723
41WJ0085B00	WIRE BARE JUMPER 8.5MM	1	J822
41WJ0085B00	WIRE BARE JUMPER 8.5MM	1	J409
41WJ0090B00	WIRE BARE JUMPER 9MM	1	J031
41WJ0090B00	WIRE BARE JUMPER 9MM	1	J634
41WJ0095B00	WIRE BARE JUMPER 9.5MM	1	J226
41WJ0095B00	WIRE BARE JUMPER 9.5MM	1	J343
41WJ0095B00	WIRE BARE JUMPER 9.5MM	1	J344
41WJ0095B00	WIRE BARE JUMPER 9.5MM	1	J713
41WJ0100B00	WIRE BARE JUMPER 10MM	1	J423
41WJ0100B00	WIRE BARE JUMPER 10MM	1	J001
41WJ0100B00	WIRE BARE JUMPER 10MM	1	J002
41WJ0100B00	WIRE BARE JUMPER 10MM	1	J061
41WJ0100B00	WIRE BARE JUMPER 10MM	1	J203
41WJ0100B00	WIRE BARE JUMPER 10MM	1	J402
41WJ0100B00	WIRE BARE JUMPER 10MM	1	J432
41WJ0100B00	WIRE BARE JUMPER 10MM	1	J611
41WJ0100B00	WIRE BARE JUMPER 10MM	1	J631
41WJ0100B00	WIRE BARE JUMPER 10MM	1	J652
41WJ0100B00	WIRE BARE JUMPER 10MM	1	J653
41WJ0100B00	WIRE BARE JUMPER 10MM	1	J692
41WJ0100B00	WIRE BARE JUMPER 10MM	1	J728
41WJ0100B00	WIRE BARE JUMPER 10MM	1	J735
41WJ0100B00	WIRE BARE JUMPER 10MM	1	J501
41WJ0100B00	WIRE BARE JUMPER 10MM	1	J134
41WJ0100B00	WIRE BARE JUMPER 10MM	1	J916
41WJ0105B00	WIRE BARE JUMPER 10.5MM	1	J442
41WJ0105B00	WIRE BARE JUMPER 10.5MM	1	J622
41WJ0110B00	WIRE BARE JUMPER 11MM	1	J244
41WJ0110B00	WIRE BARE JUMPER 11MM	1	J227
41WJ0110B00	WIRE BARE JUMPER 11MM	1	J228
41WJ0110B00	WIRE BARE JUMPER 11MM	1	J302
41WJ0110B00	WIRE BARE JUMPER 11MM	1	J313
41WJ0110B00	WIRE BARE JUMPER 11MM	1	J322
41WJ0110B00	WIRE BARE JUMPER 11MM	1	J625
41WJ0110B00	WIRE BARE JUMPER 11MM	1	JP213
41WJ0110B00	WIRE BARE JUMPER 11MM	1	J612
41WJ0110B00	WIRE BARE JUMPER 11MM	1	J614
41WJ0115B00	WIRE BARE JUMPER 11.5MM	1	J342
41WJ0115B00	WIRE BARE JUMPER 11.5MM	1	J052
41WJ0115B00	WIRE BARE JUMPER 11.5MM	1	J627

Part number                              Description                              Qty                              Location -----

41WJ0115B00	WIRE BARE JUMPER 11.5MM	1	J628
41WJ0115B00	WIRE BARE JUMPER 11.5MM	1	J246
41WJ0115B00	WIRE BARE JUMPER 11.5MM	1	J522
41WJ0120B00	WIRE BARE JUMPER 12MM	1	J051
41WJ0120B00	WIRE BARE JUMPER 12MM	1	J434
41WJ0120B00	WIRE BARE JUMPER 12MM	1	J711
41WJ0120B00	WIRE BARE JUMPER 12MM	1	J250
41WJ0120B00	WIRE BARE JUMPER 12MM	1	J253
41WJ0120B00	WIRE BARE JUMPER 12MM	1	J254
41WJ0125B00	WIRE BARE JUMPER 12.5MM	1	J131
41WJ0125B00	WIRE BARE JUMPER 12.5MM	1	J206
41WJ0125B00	WIRE BARE JUMPER 12.5MM	1	J218
41WJ0125B00	WIRE BARE JUMPER 12.5MM	1	J263
41WJ0125B00	WIRE BARE JUMPER 12.5MM	1	J352
41WJ0125B00	WIRE BARE JUMPER 12.5MM	1	J643
41WJ0125B00	WIRE BARE JUMPER 12.5MM	1	J813
41WJ0125B00	WIRE BARE JUMPER 12.5MM	1	J222
41WJ0125B00	WIRE BARE JUMPER 12.5MM	1	J951
41WJ0125B00	WIRE BARE JUMPER 12.5MM	1	J981
41WJ0125B00	WIRE BARE JUMPER 12.5MM	1	J225
41WJ0125B00	WIRE BARE JUMPER 12.5MM	1	J772
41WJ0130B00	WIRE BARE JUMPER 13MM	1	J239
41WJ0130B00	WIRE BARE JUMPER 13MM	1	J413
41WJ0130B00	WIRE BARE JUMPER 13MM	1	J346
41WJ0135B00	WIRE BARE JUMPER 13.5MM	1	J248A
41WJ0135B00	WIRE BARE JUMPER 13.5MM	1	J224
41WJ0135B00	WIRE BARE JUMPER 13.5MM	1	J236
41WJ0135B00	WIRE BARE JUMPER 13.5MM	1	J411
41WJ0135B00	WIRE BARE JUMPER 13.5MM	1	J247
41WJ0135B00	WIRE BARE JUMPER 13.5MM	1	R228A
41WJ0135B00	WIRE BARE JUMPER 13.5MM	1	J345
41WJ0140B00	WIRE BARE JUMPER 14MM	1	J335
41WJ0140B00	WIRE BARE JUMPER 14MM	1	J336
41WJ0140B00	WIRE BARE JUMPER 14MM	1	J337
41WJ0140B00	WIRE BARE JUMPER 14MM	1	J742
41WJ0150B00	WIRE BARE JUMPER 15MM	1	J032
41WJ0150B00	WIRE BARE JUMPER 15MM	1	J133
41WJ0150B00	WIRE BARE JUMPER 15MM	1	J153
41WJ0150B00	WIRE BARE JUMPER 15MM	1	J235
41WJ0150B00	WIRE BARE JUMPER 15MM	1	J237
41WJ0150B00	WIRE BARE JUMPER 15MM	1	J243
41WJ0150B00	WIRE BARE JUMPER 15MM	1	J245
41WJ0150B00	WIRE BARE JUMPER 15MM	1	J255
41WJ0150B00	WIRE BARE JUMPER 15MM	1	J262
41WJ0105B00	WIRE BARE JUMPER 10.5MM	1	J311
41WJ0150B00	WIRE BARE JUMPER 15MM	1	J461
41WJ0150B00	WIRE BARE JUMPER 15MM	1	J542
41WJ0150B00	WIRE BARE JUMPER 15MM	1	J714
41WJ0150B00	WIRE BARE JUMPER 15MM	1	J761
41WJ0150B00	WIRE BARE JUMPER 15MM	1	J931
41WJ0150B00	WIRE BARE JUMPER 15MM	1	J721A
41WJ0150B00	WIRE BARE JUMPER 15MM	1	J722A

Part number Description Qty Location -----

41WJ0150B00	WIRE BARE JUMPER 15MM	1	J211
41WJ0150B00	WIRE BARE JUMPER 15MM	1	J347
41WJ0160B00	WIRE BARE JUMPER 16MM	1	J238
41WJ0160B00	WIRE BARE JUMPER 16MM	1	J325
41WJ0160B00	WIRE BARE JUMPER 16MM	1	J334
41WJ0160B00	WIRE BARE JUMPER 16MM	1	J431
41WJ0160B00	WIRE BARE JUMPER 16MM	1	J444
41WJ0160B00	WIRE BARE JUMPER 16MM	1	J445
41WJ0165B00	WIRE BARE JUMPER 16.5MM	1	J221
41WJ0165B00	WIRE BARE JUMPER 16.5MM	1	J314
41WJ0165B00	WIRE BARE JUMPER 16.5MM	1	J234
41WJ0170B00	WIRE BARE JUMPER 17MM	1	J231
41WJ0170B00	WIRE BARE JUMPER 17MM	1	J240
41WJ0170B00	WIRE BARE JUMPER 17MM	1	J835
41WJ0175B00	WIRE BARE JUMPER 17.5MM	1	J249A
41WJ0175B00	WIRE BARE JUMPER 17.5MM	1	J251
41WJ0175B00	WIRE BARE JUMPER 17.5MM	1	J661
41WJ0175B00	WIRE BARE JUMPER 17.5MM	1	J771
41WJ0175B00	WIRE BARE JUMPER 17.5MM	1	J811
41WJ0175B00	WIRE BARE JUMPER 17.5MM	1	J223
41WJ0175B00	WIRE BARE JUMPER 17.5MM	1	J913
41WJ0175B00	WIRE BARE JUMPER 17.5MM	1	J912
41WJ0180B00	WIRE BARE JUMPER 18MM	1	J214
41WJ0180B00	WIRE BARE JUMPER 18MM	1	J623
41WJ0190B00	WIRE BARE JUMPER 19MM	1	J823
41WJ0195B00	WIRE BARE JUMPER 19.5MM	1	J323
41WJ0195B00	WIRE BARE JUMPER 19.5MM	1	J355
41WJ0195B00	WIRE BARE JUMPER 19.5MM	1	J641
41WJ0200B00	WIRE BARE JUMPER 20MM	1	J824
41WJ0200B00	WIRE BARE JUMPER 20MM	1	J831
41WJ0200B00	WIRE BARE JUMPER 20MM	1	J312
41WJ0200B00	WIRE BARE JUMPER 20MM	1	J427
41WJ0200B00	WIRE BARE JUMPER 20MM	1	J624
41WJ0200B00	WIRE BARE JUMPER 20MM	1	J626
41WJ0200B00	WIRE BARE JUMPER 20MM	1	J727
45FIL5M50Y1	CER FILTER 5.5MHZ	1	Z261
45OSC4M43Y0	CRYSTAL 4.43MHZ (CL=16pF)	1	X201
45OSC8M00Y0	CRYSTAL 8.0MHZ	1	X051
45SAWK3350K	SAW FILTER K3350K (38.9MHZ)	1	Z141
45TRA5M50Y0	CER TRAP TPS 5.5MHZ	1	Z254
4620598W04X	PIN BASE *4 TJC1-4A	1	
4633079W04X	PIN BASE *4 TJC3-4A	1	
4633079W05X	PIN BASE *5 TJC3-5A	1	
4633079W06X	PIN BASE *6 TJC3-6A	1	
4633079W06X	PIN BASE *6 TJC3-6A	1	P003
4612866W02X	PIN BASE *2 S11-02Y	1	
4633079W02X	PIN BASE *2 TJC3-2A	1	
4633079W05X	PIN BASE *5 TJC3-5A	1	
47RCA023XX1	RCA JACK 3PV YEL WHI RED/SW	1	P911
47RCA023XX1	RCA JACK 3PV YEL WHI RED/SW	1	P931
47SVI002XX0	Y/C SOCKET VERTICAL TYPE	1	P981
541287000X0	FIBRE WASHER 3.3 X 10 X 0.8	2	

Part number Description Qty Location -----

6210654X00F	UNI-TIE (2.5mmX95mm)	12	
622276800UA	HOLDER CABLE FOR FBT (2)	1	
622560MB0UN	MAIN BD BRACKET	1	
623134100HA	BRACKET	1	
63B30100BT4	S/T SCREW B 3 X 10 BT	2	
63W30100AB4	S/T SCREW W 3 X 10 AB	7	
63W30120AB4	S/T SCREW W 3 X 12 AB	1	
64P30080104	M/C SCREW P 3 X 8	1	
64P30080104	M/C SCREW P 3 X 8	1	
64P30080104	M/C SCREW P 3 X 8	1	
64P30100104	M/C SCREW P 3 X 10	2	
65Z3005023M	NUT M 3	2	
65Z3005023M	NUT M 3	2	
67H272921A0	HEAT SINK-REGULATOR & DPC A=60	1	
67H301471A0	HEAT SINK FOR HORIZ	1	
67H301795A0	HEAT SINK	1	
67H307053A0	HEAT SINK	1	
7027151000A	SERVICE CARD	1	
712708700A9	LABEL	2	
90209770SR1	SILICONE GREASE G-746	9E-04	
90269080ZU0	CLEAN COATING TC-131L 14KG/BARREL	1E-04	
1079C8V2DBX	DIODE ZENER 8V2 1/2W 5%	1	D240
18CB0222JNX	RES. C.F. 2.2k OHM 1/6W +/-5%	1	R242
26EBP102KBX	CAP. CER 1000 PF 50V +/-10% B	1	C936
26EBP102KBX	CAP. CER 1000 PF 50V +/-10% B	1	C937
663437300B0	HOLLOW RIVET 1.6X3.0XL3.2	5	
41WJ0085B00	WIRE BARE JUMPER 8.5MM	1	J348
41WJ0075B00	WIRE BARE JUMPER 7.5MM	1	J544
41WJ0110B00	WIRE BARE JUMPER 11MM	1	J324
18CD0101JNX	RES. C.F. 100 OHM 1/4W +/-5%	1	R226
100FR104FBX	DIODE FR104 (FAST RECTIFIER)	1	D412
100FR104FBX	DIODE FR104 (FAST RECTIFIER)	1	D421
100FR104FBX	DIODE FR104 (FAST RECTIFIER)	1	D441
100FR104FBX	DIODE FR104 (FAST RECTIFIER)	1	D431
36HDR001AX1	TRANSFOR HOR. DRIVE (MAGNETIC CORE)	1	T401
663437400B0	HOLLOW RIVET (2.3mmx4.0mmx3.5mm)	2	
110BC3370BX	TRANSISTOR (NPN) BC337-40	1	Q062
25BCB100M1X	CAP. ELEC 10 UF 16V +/-20%	1	C278
25BCB100M1X	CAP. ELEC 10 UF 16V +/-20%	1	C074
25BCB100M1X	CAP. ELEC 10 UF 16V +/-20%	1	C106
25BCB100M1X	CAP. ELEC 10 UF 16V +/-20%	1	C214
25BCB100M1X	CAP. ELEC 10 UF 16V +/-20%	1	C227
25BCB100M1X	CAP. ELEC 10 UF 16V +/-20%	1	C276
25BCB100M1X	CAP. ELEC 10 UF 16V +/-20%	1	C651
25BCB100M1X	CAP. ELEC 10 UF 16V +/-20%	1	C655
25BCB100M1X	CAP. ELEC 10 UF 16V +/-20%	1	C661
25BCB100M1X	CAP. ELEC 10 UF 16V +/-20%	1	C662
25BCB100M1X	CAP. ELEC 10 UF 16V +/-20%	1	C666
25BCB100M1X	CAP. ELEC 10 UF 16V +/-20%	1	C671
25BCB100M1X	CAP. ELEC 10 UF 16V +/-20%	1	C952
25BCB101M1X	CAP. ELEC 100 UF 16V +/-20%	1	C064
25BCB101M1X	CAP. ELEC 100 UF 16V +/-20%	1	C217

Part number Description Qty Location -----

25BCB101M1X	CAP. ELEC 100 UF 16V +/-20%	1	C228
25BCB101M1X	CAP. ELEC 100 UF 16V +/-20%	1	C257
25BCB101M1X	CAP. ELEC 100 UF 16V +/-20%	1	C658
25BCB101M1X	CAP. ELEC 100 UF 16V +/-20%	1	C934
25BCB101M1X	CAP. ELEC 100 UF 16V +/-20%	1	C944
25BCB101M1X	CAP. ELEC 100 UF 16V +/-20%	1	C969
25BCB221M1X	CAP. ELEC 220 UF 16V +/-20%	1	C933
25BCB221M1X	CAP. ELEC 220 UF 16V +/-20%	1	C634
25BCB470M1X	CAP. ELEC 47 UF 16V +/-20%	1	C202
25BCB470M1X	CAP. ELEC 47 UF 16V +/-20%	1	C274
25BCB470M1X	CAP. ELEC 47 UF 16V +/-20%	1	C911
25BCB470M1X	CAP. ELEC 47 UF 16V +/-20%	1	C912
25BCB470M1X	CAP. ELEC 47 UF 16V +/-20%	1	C913
25BCB470M1X	CAP. ELEC 47 UF 16V +/-20%	1	C921
25BCB470M1X	CAP. ELEC 47 UF 16V +/-20%	1	C922
25BCB470M1X	CAP. ELEC 47 UF 16V +/-20%	1	C923
25BCB470M1X	CAP. ELEC 47 UF 16V +/-20%	1	C931
25BCB470M1X	CAP. ELEC 47 UF 16V +/-20%	1	C932
25BCB470M1X	CAP. ELEC 47 UF 16V +/-20%	1	C943
25BCB470M1X	CAP. ELEC 47 UF 16V +/-20%	1	C981
25BCB470M1X	CAP. ELEC 47 UF 16V +/-20%	1	C991
25BCB471M1X	CAP. ELEC 470 UF 16V +/-20%	1	C082
25BEA102M1X	CAP. ELEC 1000 UF 35V +/-20%	1	C432
25BEA102M1X	CAP. ELEC 1000 UF 35V +/-20%	1	C610
25BEA221M1X	CAP. ELEC 220 UF 35V +/-20%	1	C306
25BEA471M1X	CAP. ELEC 470 UF 35V +/-20%	1	C607
25BEA471M1X	CAP. ELEC 470 UF 35V +/-20%	1	C608
25BEB101M1X	CAP. ELEC 100 UF 35V +/-20%	1	C731
25BEG222M1X	CAP. ELEC 2200 UF 35V +/-20%	1	C303
25BEG222M1X	CAP. ELEC 2200 UF 35V +/-20%	1	C309
25BFB100M1X	CAP. ELEC 10 UF 50V +/-20%	1	C222
25BFB100M1X	CAP. ELEC 10 UF 50V +/-20%	1	C311
25BFB101M1X	CAP. ELEC 100 UF 50V +/-20%	1	C605
25BFB108M1X	CAP. ELEC 0.1 UF 50V +/-20%	1	C271
25BFB109M1X	CAP. ELEC 1 UF 50V +/-20%	1	C253
25BFB109M1X	CAP. ELEC 1 UF 50V +/-20%	1	C206
25BFB109M1X	CAP. ELEC 1 UF 50V +/-20%	1	C631
25BFB109M1X	CAP. ELEC 1 UF 50V +/-20%	1	C654
25BFB109M1X	CAP. ELEC 1 UF 50V +/-20%	1	C663
25BFB109M1X	CAP. ELEC 1 UF 50V +/-20%	1	C664
25BFB109M1X	CAP. ELEC 1 UF 50V +/-20%	1	C665
25BFB109M1X	CAP. ELEC 1 UF 50V +/-20%	1	C672
25BFB478M1X	CAP. ELEC 0.47 UF 50V +/-20%	1	C208
25BFB479M1X	CAP. ELEC 4.7 UF 50V +/-20%	1	C101
25BFB479M1X	CAP. ELEC 4.7 UF 50V +/-20%	1	C124
34A109K01X	COIL CHOKE 1 UH +/-10%	1	L121
27MBC474J0X	CAP. M.P.E 0.47UF 63V +/-5%	1	C251
49301480000	RUBBER SPACER	2	
T825604TPAN	ASS'Y - PACKING	1	
49382550BAT	BATTERY R06P AA 1.5V 5#	2	
623775800HD	SAFEGUARDING SLEEVE	4	
7225604TE01	OPERATION MANUAL	1	

Part number Description Qty Location -----

740220326WE	POLYBAG (23cmX34cmX0.06mm)	1	
7412012080HAA	POLYBAG W/SUFFOCATION WARNING	1	
752560LLCC0	POLYFOAM "LL"	1	
752560LRCC0	POLYFOAM "LR"	1	
752560ULCC0	POLYFOAM "UL"	1	
752560URCC0	POLYFOAM "UR"	1	
76AI25600AT	CARTON BOX	1	
T825604TRCN	ASS'Y REAR CABINET	1	
4207808GXX0	SPEAKER 8 OHM 10W	1	SP601
4207808GXX0	SPEAKER 8 OHM 10W	1	SP602
4627322H02X	HS 2P24 360/7 F/W SM-2P WH	1	
4627322H02X	HS 2P24 360/7 F/W SM-2P WH	1	
5411400000X	FELT TAPE (150mmX19mmX0.3mm)	11	
552560RC0AN	REAR CABINET	1	
582560MP0UI	PLATE MODEL NO.	1	
582560RI1UI	INLAY REAR AV BD	1	
5913046000X	RUBBER PAD (25mmX7mm)	2	
623603600HN	SPEAKER BRACKET	2	
63B40200AB2	S/T SCREW B 4 X 20 AB	11	
63F30100BT3	S/T SCREW F 3 X 10 BT (BLACK)	2	
63W30100AB4	S/T SCREW W 3 X 10 AB	8	
63W30120BT4	S/T SCREW W 3 X 12 BT	4	
T825604TAVY	ASS'Y - SIDE AV	1	
402560MTSIA	P.C.B. SIDE AV BD	1	
41WJ0070B00	WIRE BARE JUMPER 7MM	1	J001A
4630790H06X	HS 6P24 400 TJC3-6Y/SCN-6Y	1	P003A
47RCA041XX0	JACK RCA 3PH H=8MM YL WH RD/SW	1	P941A
63B30080BT4	S/T SCREW B 3 X 8 BT	2	
T825604TFCY	ASS'Y - FRONT CABINET	1	
02GND025XX0	ASS"Y - CRT GND WIRE&HOUSE	1	
25DFB478M1X	CAP. ELEC 0.47 UF 50V +/-20%NP	1	C1
25DFB478M1X	CAP. ELEC 0.47 UF 50V +/-20%NP	1	C2
42G3508DXX0	SPEAKER 8 OHM 5W	1	SP601A
42G3508DXX0	SPEAKER 8 OHM 5W	1	SP602A
4627264H02X	HS 2P24 700/5 F/W S11-02H	1	
4627688H04X	HS 4P A/B 400/13 RBGW TJC1/4Y	1	
4635009H02X	HS 2P22 320/5 SM-2Y	1	
4635009H02X	HS 2P22 320/5 SM-2Y	1	
4635197H02X	HS 2P22 700/7 TJC3-2Y	1	
541139700U0	PVC TUBE #5 L=ROLL	0.32	
54205140000	SPACER CRT MOUNTING T=2MM	4	
543147400X0	CRT FIBRE SHEET (22mmX22mmX0.8mm)	4	
552560FC1AN	FRONT CABINET	1	
562560FB1HA	PUSH BUTTON	1	
562560LS1HC	LENS	1	
562560PK0HA	POWER KNOB	1	
582560S11UI	INLAY SIDE AV	1	
583664200UI	INLAY SIDE AV	1	
5913046000X	RUBBER PAD (25mmX7mm)	2	
6210654X00F	UNI-TIE (2.5mmX95mm)	13	
622163400UA	HOLDER POWER CORD	1	
622651600HA	POWER SW. ADAPTOR	1	

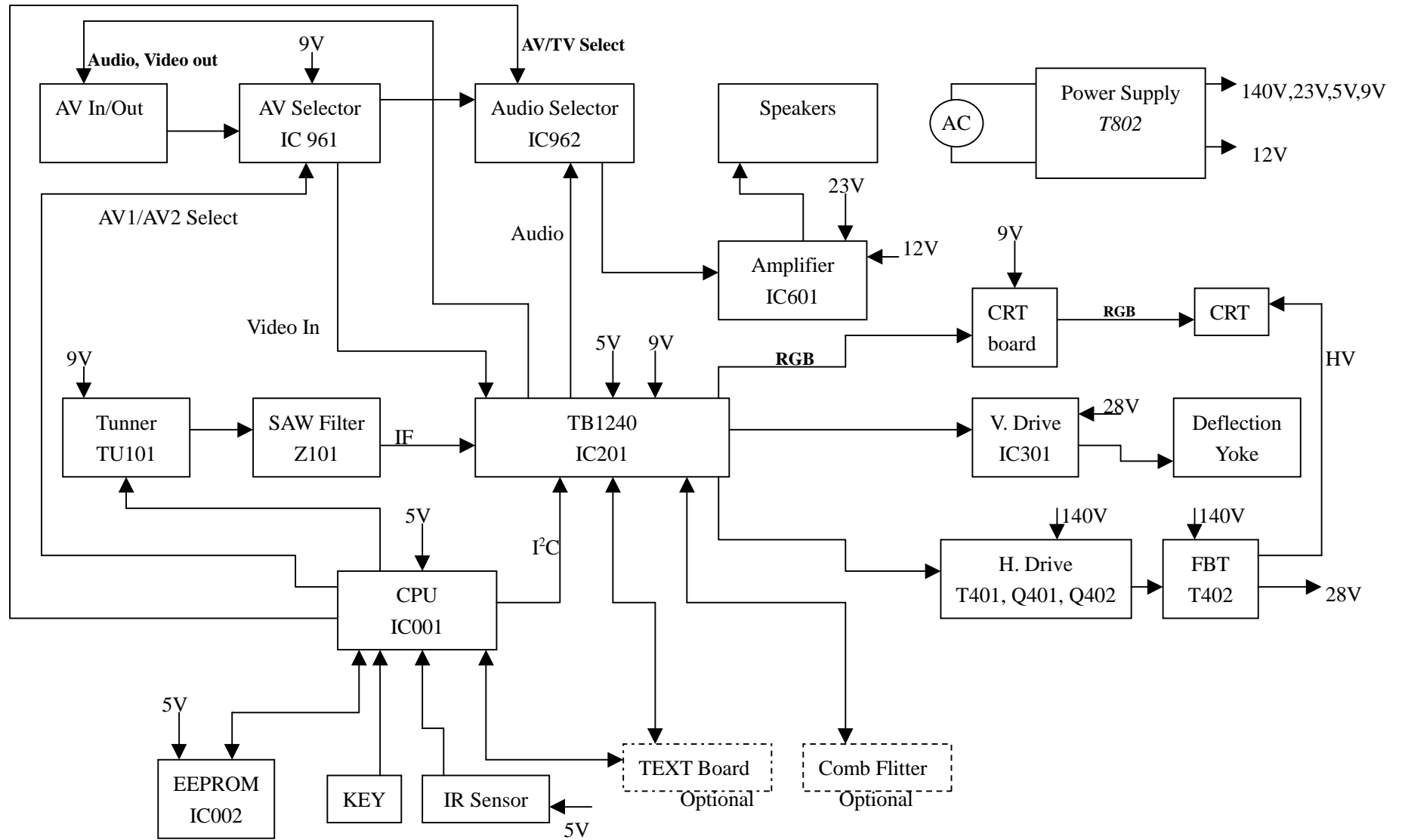
Part number Description Qty Location -----

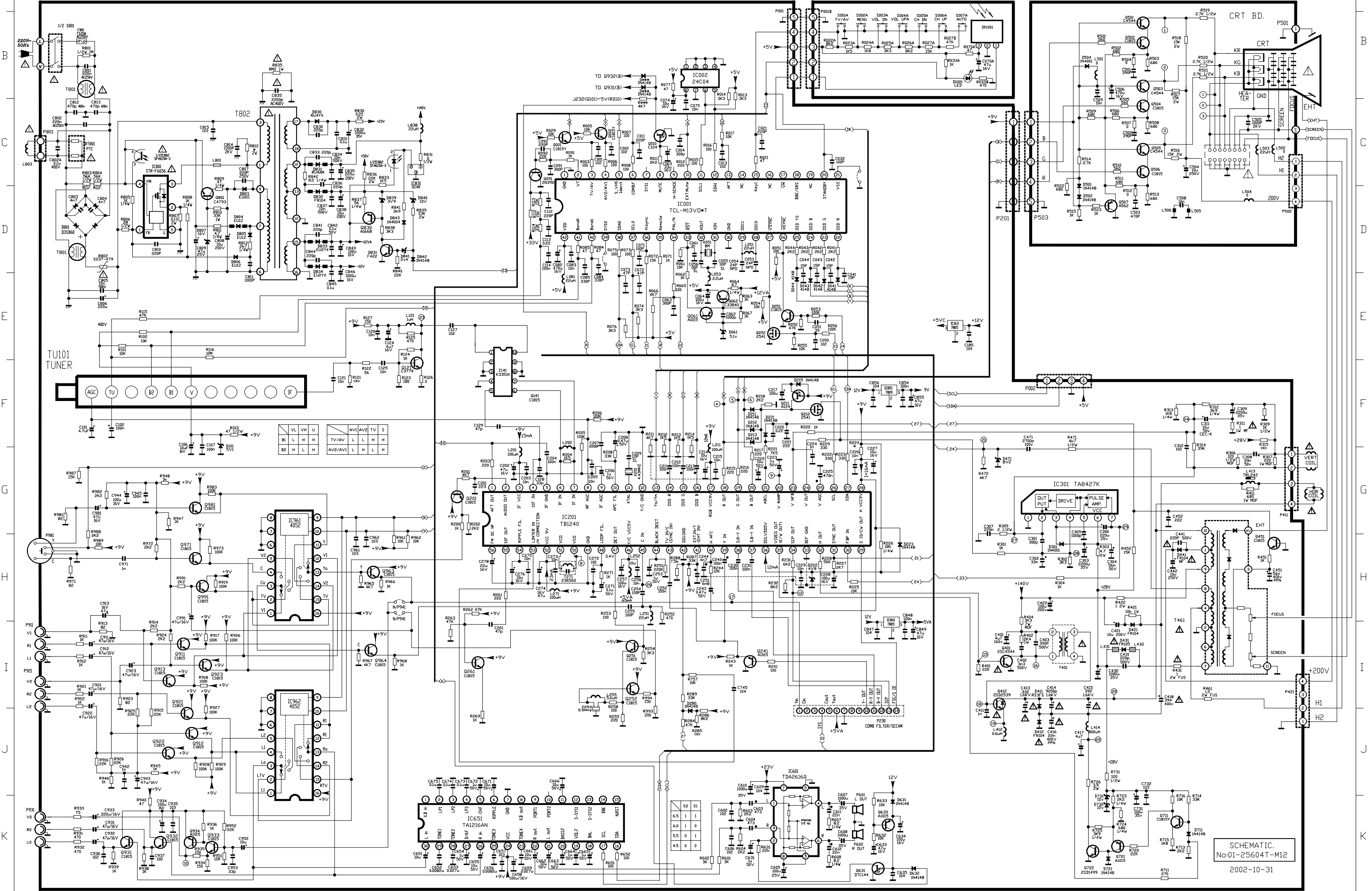
63H60300OB4	S/T SCREW H 6 X 30 OB	4	
63W30100AB4	S/T SCREW W 3 X 10 AB	1	
63W30100AB4	S/T SCREW W 3 X 10 AB	3	
63W30100AB4	S/T SCREW W 3 X 10 AB	1	
63B30100AB4	S/T SCREW B 3 X 10 AB	4	
65A6018020E	EXT. TOOTH WASHTER 6 X 18 X 2	4	
36DEG250BX1	DEGAUSSING COIL 2730mm	1	
44250FLSFD2A	CRT 64SX502Y22-DC02(AUST)	1	CRT01
67X216790E0	SPRING CRT 6mmX50mmX0.6mm	2	
67X242830E0	SPING POWER KNOB	1	
T825604TKEY	ASS'Y - KEY BD	1	
14LED05RXX1	LED RED FB205	1	D1001
18CB0822JNX	RES. C.F. 8.2K OHM 1/6W +/-5%	1	R022A
18CB0822JNX	RES. C.F. 8.2K OHM 1/6W +/-5%	1	R026A
18CB0182JNX	RES. C.F. 1.8K OHM 1/6W +/-5%	1	R024A
18CB0332JNX	RES. C.F. 3.3k OHM 1/6W +/-5%	1	R025A
402560MTFBB	P.C.B. FRONT CTL BD	1	
4630407H05X	HS UL2468#24 5C/TS 180 TJC3-5Y	1	
48TAC002XX0	TACT SWITCH	1	S1001
48TAC002XX0	TACT SWITCH	1	S1002
48TAC002XX0	TACT SWITCH	1	S1003
48TAC002XX0	TACT SWITCH	1	S1004
622269200HA	LED HOLDER	1	
63W30100AB4	S/T SCREW W 3 X 10 AB	2	
18CB0152JNX	RES. C.F. 1.5k OHM 1/6W +/-5%	1	R023A
18CB0153JNX	RES. C.F. 15k OHM 1/6W +/-5%	1	R027A
18CB0102JNX	RES. C.F. 1K OHM 1/6W +/-5%	1	R033A
18CB0471JNX	RES. C.F. 470 OHM 1/6W +/-5%	1	R033B
48TAC002XX0	TACT SWITCH	1	S1005
48TAC002XX0	TACT SWITCH	1	S1006
41WJ0050B00	WIRE BARE JUMPER 5MM	1	J071
18CB0470JNX	RES. C.F. 47 OHM 1/6W +/-5%	1	R070A
25BCB470M1X	CAP. ELEC 47 UF 16V +/-20%	1	C070A
11IRR0011X0	IR RECEIVER MODULE HS0038A2	1	IR1001
T825604TSW1	ASS'Y - PWR SW BD (H.K)	1	
402560MTSWA	P.C.B. POWER SWITCH BD	1	
4628559W02X	PIN BASE *2 TJC1-2A	1	S801 F
4628559W02X	PIN BASE *2 TJC1-2A	1	P801
4632269H02X	HS 2P22 200 TJC1-2Y/TJC1-2Y	1	
63B30080BT4	S/T SCREW B 3 X 8 BT	2	
51JC02430CH01	POWER CORD SAA PLUG W/HOUSING	1	
48POW001AX0	SWITCH POWER	1	SW801
T8HS46F0M13F	ASS'Y - IR REMOTE	1	
101N4148ABX	DIODE 1N4148 (SWITCHING)	1	D1502
101N4148ABX	DIODE 1N4148 (SWITCHING)	1	D1503
101N4148ABX	DIODE 1N4148 (SWITCHING)	1	D1504
101N4148ABX	DIODE 1N4148 (SWITCHING)	1	D1505
101N4148ABX	DIODE 1N4148 (SWITCHING)	1	D1507
14IRE05BXX0	IR EMITTING DIODE TSAL6200	1	D1501
18CB0229JNX	RES. C.F. 2.2 OHM 1/6W +/-5%	1	R1502
18CB0682JNX	RES. C.F. 6.8K OHM 1/6W +/-5%	1	R1501
26EBP101JCX	CAP. CER 100PF 50V +/-5% CH	1	C1501



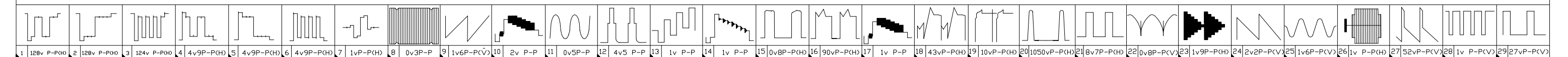
Part number	Description	Qty	Location -----
-------------	-------------	-----	----------------

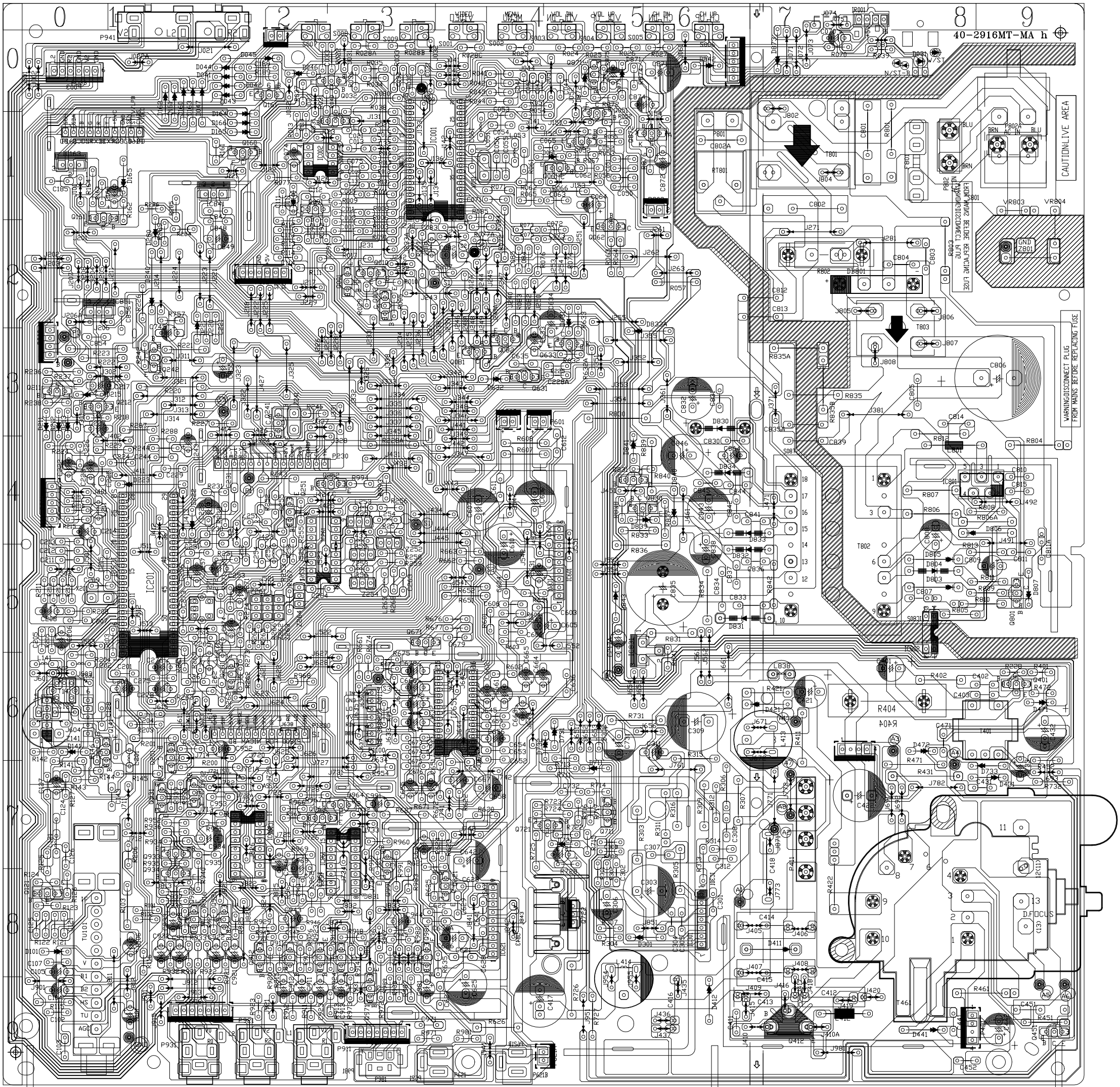
26EBP101JCX	CAP. CER 100PF 50V +/-5% CH	1	C1502
402909NTRMB	P.C.B. REMOTE HANDSET BD	1	
45COS455KY0	CERAMIC RESONATOR 455KHZ	1	X1501
49HS46F000X	RUBBER PAD KEYS	1	
55HS46FB0HA	CASE LOWER - REMOTE HANDSET	1	
55HS46FD0HA	DOOR BATT. - REMOTE HANDSET	1	
55HS46FT0HA	CASE UPPER - REMOTE HANDSET	1	
58HS46F27UI	INLAY REMOTE HANDSET	1	
63B26060BT2	S/T SCREW B 2.6 X 6 BT	1	
7400902260C	POLYBAG HANDSET (9CMX22CM)	1	
110BC3370BX	TRANSISTOR (NPN) BC337-40	1	Q1501
25HBB470M1X	CAP. ELEC 47UF 10V +/-20%	1	C1503
13SC902823B	IC SC9028-023	1	IC1501
67X269680E2	BATT. TERMINAL (+/-)	1	
67X310280E2	SPRING - BATTERY (-)	1	
67X310290E2	SPRING - BATTERY (+)	1	





SCHEMATIC. No:01-25604T-M12 2002-10-31





# 2560EXPLODE

